

NORTH AMERICAN FLYBALL ASSOCIATION, INC.

OFFICIAL RULES OF RACING, CORPORATE

POLICIES, AND BY-LAWS

November 25, 2002



Copyright January 1985 through 1991 by Michael F. Randall, Revised 1992 through 2002, by the North American Flyball Association, Inc. All rights reserved. No part of this publication may be reproduced or transmitted in any form or by any means without permission from the North American Flyball Association, Inc., except by a reviewer who wishes to quote brief passages in connection with a review for the inclusion in a magazine, newspaper, broadcast or for the purpose of training students under their direction.

NAFA® is a registered trademark of NAFA, Inc.

Flyball got its start in the 1970's when Californian Herbert Wagner developed the first tennis ball launcher. Subsequently, the new sport for dog enthusiasts was introduced in the Toronto - Detroit area by several dog training clubs. After a few small tournaments were held in conjunction with dog shows, the first ever Flyball tournament was held in 1983.

Flyball races match two teams of four dogs each, racing side-by-side over a 51 foot long course. Each dog must run in relay fashion down the jumps, trigger a Flyball box, releasing the ball, retrieve the ball, and return over the jumps. The next dog is released to run the course but can't cross the start/finish line until the previous dog has returned over all 4 jumps and reached the start/finish line. The first team to have all 4 dogs finish the course without error wins the heat.

To standardize the rules, keep records of tournaments, and guide the development of Flyball racing, the North American Flyball Association, Inc.(NAFA®) was formed in 1985 by a group representing 12 teams from Michigan and Ontario. Interest and participation in Flyball has soared since its beginning and is now enjoyed throughout North America, Europe, Australia, and other countries. NAFA has over 300 registered clubs with more than 7000 registered dogs.

Flyball races offer fast paced action with plenty of excitement for dogs, handlers, and especially spectators. Many teams run all 4 dogs through the course in less than 20 seconds. The NAFA record is now under 16.0 seconds. NAFA tournaments are divided into divisions so that teams compete against other teams of equal abilities. All dogs including mixed breeds are eligible to compete and earn titles in NAFA sanctioned tournaments. Titles are earned via a point system based on the time it takes a dog's team to complete each heat race.

The ensuing Rules and Policies consists of Rules of Racing, Corporate Policies and Procedures, and By-law's for Flyball racing, along with the policies governing NAFA and participation in NAFA sanctioned Tournaments.

TABLE OF CONTENTS

Rules of Racing

Chapter 1 – Equipment	2
Section 1.1 – Flyball Boxes	2
Section 1.2 – Balls	3
Section 1.3 – Collars	3
Chapter 2 – Ring Set-Up	3
Section 2.1 - Footing	3
Section 2.2 - Barriers.....	3
Section 2.3 - Jumps.....	3
Section 2.4 – Ring Layout	4
Chapter 3 – Teams and Timesheets	5
Chapter 4 – Measuring	6
Chapter 5 – Judges	7
Chapter 6 – Reporting for Races	8
Chapter 7 – Warm-Ups	9
Chapter 8 – Rules of Racing	9
Section 8.1 – Tournament Seeding/Break-out Rule	9
Section 8.2 – Jump Heights	10
Section 8.3 – The Heat.....	10
Section 8.4 – Aggressive Dogs	12
Section 8.5 – Condition of Dogs.....	12
Section 8.6 – Race Results	12
Glossary	13

Corporate Policies & Procedures

Chapter 1 – Executive Director Staff	16
Section 1.1 – Statistician.....	16
Section 1.2 – Tournament Sanctioning Secretary	16
Section 1.3 – NAFA News.....	16
Section 1.4 – EJS Coordinator	16
Section 1.5 – Webmaster	17
Section 1.6 – Regional Directors	17
Chapter 2 – Judges	17
Chapter 3 – Annual General Meeting	20
Chapter 4 – Delegate Votes	20

Chapter 5 – Code of Conduct	20
Section 5.1 – Code of Ethics	20
Section 5.2 – Discipline	21
Section 5.3 – Pre-hearing.....	21
Section 5.4 – Hearing.....	22
Section 5.5 – Post-Hearing	22
Section 5.6 – Probation	23
Section 5.7 – Aggressive Dogs	23
Section 5.8 – Publishing of Disciplinary Action.....	23
Chapter 6 – Hosting a NAFA Sanctioned Event	23
Section 6.1 – Requirements	23
Section 6.2 – Classes of Competition.....	25
Section 6.3 – Format & Schedule.....	25
Section 6.4 – Seeding	26
Section 6.5 – Electronic Judging Systems	26
Chapter 7 – Standing Rules of Competition	26
Section 7.1 – Height Cards	26
Section 7.2 – Record Times	27
Section 7.3 – Racing Year.....	27
Section 7.4 – Meaningless Heats.....	27
Section 7.5 – Changing Clubs.....	27
Chapter 8 – Awards	28
Section 8.1 – Points	28
Section 8.2 – Titles.....	28
Section 8.3 – Regional Champions	28
Section 8.4 – NAFA Champions.....	29
Section 8.5 – Clyde Moore Memorial Hall of Fame	29
Section 8.6 – Regional MVP Award	30
Bylaws	
Article I - Offices	32
Article II - Purpose	32
Article III – Membership	32
Article IV – Board of Directors	32
Section 1 – Powers	32
Section 2 – Number.....	32
Section 3 – Eligibility	33
Section 4 – Election of Directors	33
Section 5 – Term of Office.....	33
Section 6 – Vacancies.....	33
Section 7 – Annual Meeting	33
Section 8 – Regular Meetings	34
Section 9 – Special Meetings	34

Section 10 – Attendance	34
Section 11 – Notice: Waiver of Notice	34
Section 12 – Quorum and Vote at Meetings.....	34
Section 13 – Voting	34
Section 14 – Executive Session	35
Section 15 – Telephone Meetings.....	35
Section 16 – Action by Unanimous Consent	35
Section 17 – Resignation and Removal of Directors	35
Section 18 – Compensation and Reimbursement	35
Section 19 – Minutes.....	35
Section 20 – Conduct of Meetings	35
Article V – Committees of Directors	36
Section 1 – Committees	36
Section 2 – Standing Committees	36
Section 3 – Tenure.....	38
Section 4 – Meeting and Notices.....	38
Section 5 – Quorum	38
Section 6 – Action By Unanimous Consent and Telephone Meetings	38
Section 7 – Removal and Resignations.....	38
Section 8 – Vacancies.....	38
Section 9 – Minutes.....	39
Article VI – Officers	39
Section 1 – Positions.....	39
Section 2 – Election and Term of Office.....	39
Section 3 – Chairperson of the Board	39
Section 4 – Executive Director	39
Section 5 – Vice-Chairperson.....	40
Section 6 – Secretary	40
Section 7 – Treasurer.....	40
Section 8 – Bond.....	41
Section 9 – Authority for Expenditures	41
Section 10 – Indemnification	41
Article VII – Affiliate Clubs.....	42
Section 1 – Local Organizations.....	42
Section 2 – Delegates	42
Article VIII – General Provisions	42
Section 1 – Seal	42
Section 2 – Fiscal Year	42
Section 3 – Legal Construction	43
Article IX – Amendments to Bylaws	43
Appendix A – Schedule of Fees	
Appendix B – Racing Schedules	
Appendix C – NAFA Forms	

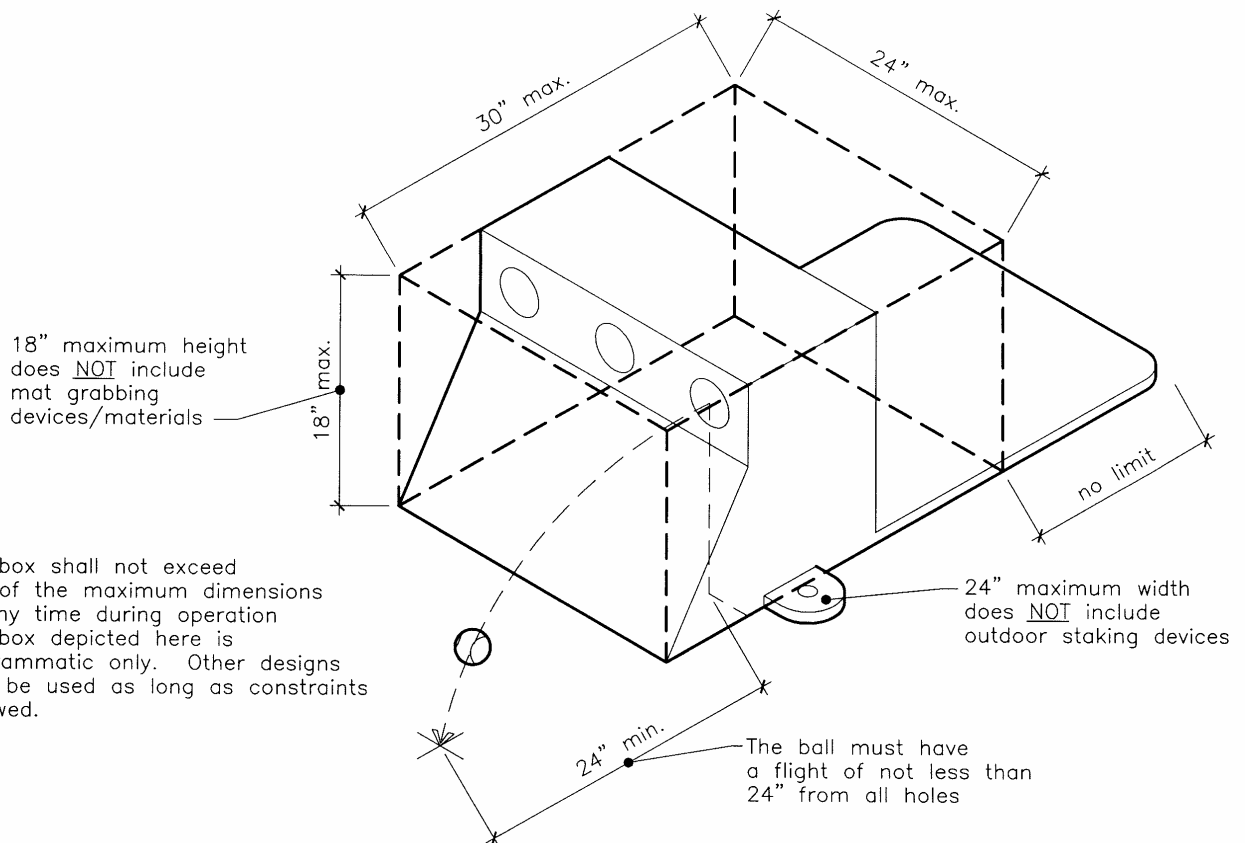
NORTH AMERICAN FLYBALL ASSOCIATION, INC.

RULES OF RACING

CHAPTER 1 – EQUIPMENT

Section 1.1 - Flyball Boxes

- (a) Each team shall supply a Flyball box.
- (b) All boxes are to have a mechanical (not electrical) mechanism.
- (c) The boxes may be painted or decorated as the team wishes.
- (d) The ball, when released, must have a free unobstructed flight of not less than 24 inches from the point that the ball is released, in the direction of the start/finish line from all holes.
- (e) Boxes
 - (i) shall not exceed 24 inches in width, nor 18 inches in height from the bottom surface of the box excluding mat grabbing devices/materials and outdoor staking devices;
 - (ii) The body of the box shall not exceed 30 inches in depth;
 - (iii) The base of the box upon which the boxloader stands may exceed 30 inches in depth;
 - (iv) Mat grabbing devices/materials shall not raise the box by more than one half inch;
 - (v) The box shall not exceed these dimensions at any time during racing (including any permanent attachments to the box, i.e. carrying handles, cocking devices).



NOTES:

1. The box shall not exceed any of the maximum dimensions at any time during operation
2. The box depicted here is diagrammatic only. Other designs may be used as long as constraints followed.

Section 1.2 - Balls

Each club shall have a supply of unpunctured approved balls (any color). Subject to the size and comfort of the dog, racket balls, or approved balls may be used. Approved balls must function similar to a tennis ball, i.e.. they must bounce and roll.

Section 1.3 – Collars

Competitors are forbidden to use electronic, electronic dummy collars, and pinch/prong collars on the tournament grounds. The tournament grounds include racing lanes, spectator areas, and the crating area. Halters, including “haltees”, will not be allowed in the racing ring. Flat collars, slip collars and harnesses are the only accepted type of collar. It is noted that it is impossible to control spectators with prong collar or other unapproved devices on their dogs who are not part of the tournament.

CHAPTER 2 – RING SET-UP

Section 2.1 - Footing

The host club shall provide adequate non-slip footing on the racing lane, at the box, and at the start.

Section 2.2 - Barriers

The host club shall provide a barrier/backstop (minimum 24" high) at the box end of the run, placed as to prevent missed balls from rolling too far but placed as not to prevent proper observation by the judge or to obscure the spectators view. A barrier (minimum 24" high) shall extend between the boxes, up to the box placement line, to minimize interference.

Section 2.3 - Jumps

(a) The host club shall provide two sets of **regulation** Flyball jumps for the duration of the tournament.

(i) The jumps shall be white except for the uprights which may be any color. The jumps shall have an inside width of 24 inches, with uprights not more than 36 inches high nor less than 24 inches high. Logos and/or lettering on the cross-boards will be permitted but must maintain a 2 inch white border around all four edges inside the post.

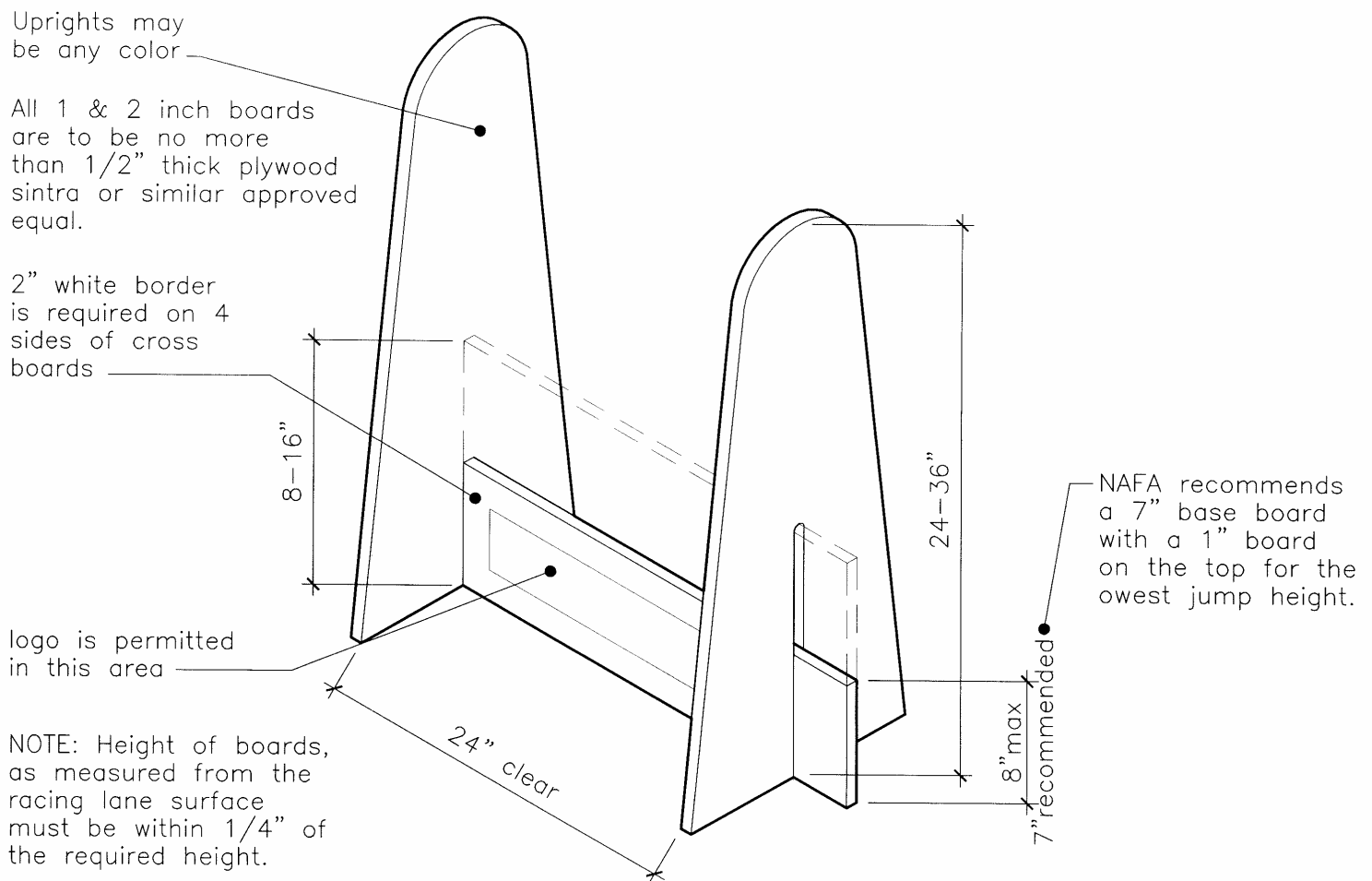
(ii) NAFA requires all 1" and 2" jump boards be no thicker than 1/2" plywood, sintra, or similar approved material.

(iii) NAFA recommends a 7" jump base board with a 1" board to be placed on top to reach minimum height.

(iv) Jump slats made of any material that are broken or bent must be removed from competition.

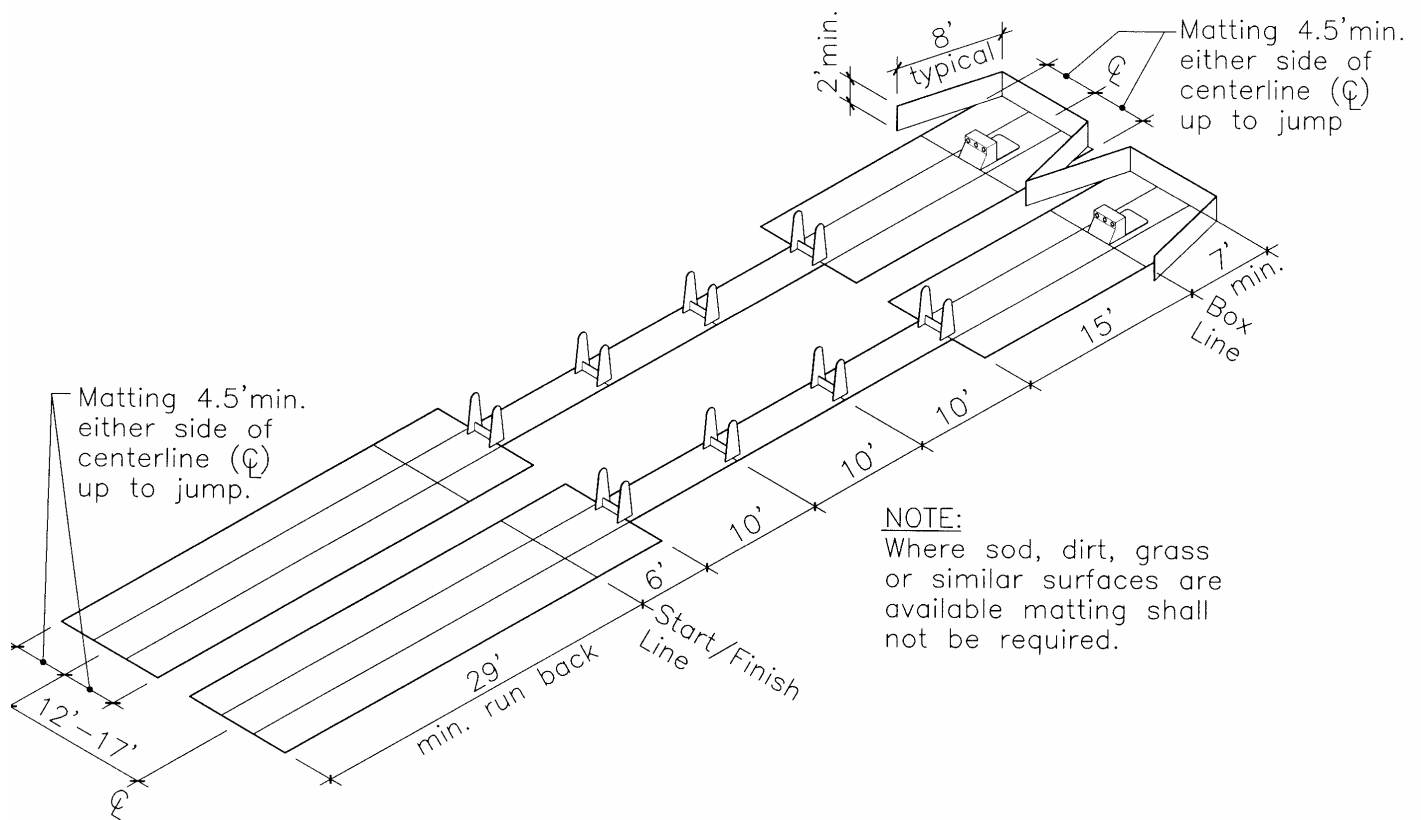
(v) Jumps shall be within 1/4" in tolerance for height.

(b) There shall be a distance of six feet from the start/finish line to the first jump; ten (10) feet between each jump (four total), and 15 feet from the last jump to the box placement line.



Section 2.4 – Ring Layout

(a) The minimum area required for two regulation lanes is approximately 30 feet by 90 feet. There shall be two racing lanes set a minimum of 12 feet from center to center and a maximum of 17 feet center to center. In cases of racing lanes being placed on hard surfaces or carpet (such as indoor/outdoor carpet where rug burns are possible), each racing lane shall be matted at a minimum 4.5 feet on either side of the racing lane center line for the length of the racing lane leading up to the first jump and an area from the last jump to the backstops. Where sod, dirt, grass or similar surfaces are available, matting shall not be required. All racing surfaces must be free of apparent contaminants. The length of the racing lane shall include an area not less than 29 feet leading up to the start/finish line and an area behind the box and in front of the backstops of not less than seven (7) feet beyond the front edge of the Flyball box.



CHAPTER 3 – TEAMS AND TIMESHEETS

(a) A Competition Registration Number (CRN) must be obtained from NAFA (use NAFA Form C.8) prior to competing in a NAFA sanctioned tournament. This number shall be used to identify the dog throughout its racing career. The fee for a CRN is \$15.00 in US currency or equivalent. The CRN is not transferable to another dog. The CRN shall indicate the breed of the dog. The breed of the dog may be changed up to the point at which it runs in competition. Once the dog has run in competition, the breed may only be changed from a mixed-breed to a recognized breed.

(b) Any dog entered in a NAFA sanctioned tournament without a valid CRN will result in forfeiture of all NAFA points for the heats in which the dog raced, along with any tournament placement for the team.

(c) Each team is to consist of a minimum of four dogs and four handlers, with a maximum of six dogs and six handlers, plus a box loader and at the discretion of the team, a runner or two, to pick up loose tennis balls, set up knocked down jumps, or to otherwise assist the team, provided doing so does not interfere with the judges, nor the opposing team, nor does in any way assist the dogs or violates the rules.

(d) Each team is to have four dogs running in each heat, with a maximum of two alternates as standbys. The alternate(s) may be used at the team's discretion. Substitutions may only be made at the end of each heat. Each dog on the team including the alternates must be

declared prior to the 1st race of the division. Once the division has begun, there will be no substituting of the dogs entered on the team.

(e) Dogs may not compete in more than one class at a NAFA sanctioned tournament except;

- (i) When the tournament's regular class is unlimited;
- (ii) When a limited entry tournament's regular class does not fill

(d) The current time sheet (NAFA Form C.2) shall be used.

(f) A Club must have a NAFA Club Number to enter a NAFA sanctioned event. If a Club Number has not been obtained prior to the closing date of the tournament in which the Club has entered, the teams entered by the Club will forfeit all NAFA Points and tournament placements.

CHAPTER 4 – MEASURING

(a) At the discretion of the team, dogs jumping less than 16 inches may be measured by the Head Judge officiating at the tournament prior to the start of their division.

(b) If the head judge determines that a team is not jumping at least the minimum height in a round robin format, the team shall forfeit any heats won at the improper jump height.

- (i) In the case of an elimination format, the team shall be excused.

(c) The head judge may at any time measure a dog.

(d) Once the dog is measured, the judge is under no obligation to re-measure the same dog.

(e) If a dog is re-measured and the Head Judge determines he has made a mistake, the team shall in no way be penalized. However, the team will be required to jump the proper height for any remaining heats.

(f) Any protest with respect to a dog's jump height must be verbalized within 30 minutes of the heat in question.

(g) Measurements are to be open to public observation.

(h) Only one (1) handler per dog shall be allowed in the measuring area.

(i) Aggression during measurement will not be tolerated and **Rule 8.4** (Aggressive Dogs) will be observed.

(j) A dog deemed to be "NOT MEASURABLE" by the Measuring Head Judge will jump 16" hurdles.

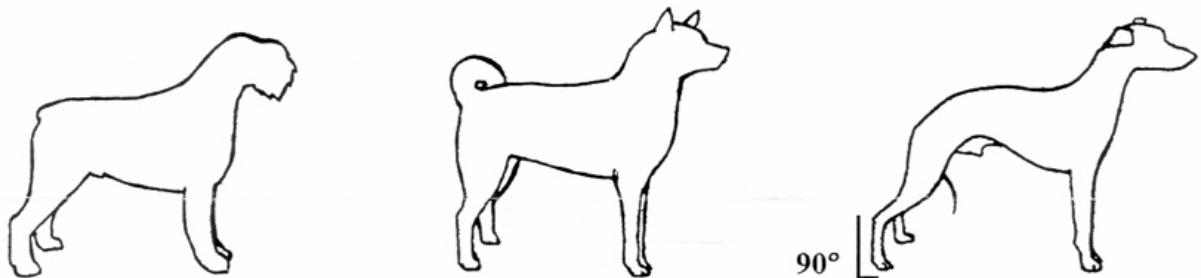
(k) Height measurements are to be recorded and signed by the measuring Head Judge. A copy of the NAFA Jump Height Form (Form C.9) must be posted for view by the

tournament participants. In cases where multiple judges are measuring, once a dog's height has been measured and recorded by either judge on the Jump Height Form, that shall be the dog's official jump height for that tournament, regardless of which ring the dog may run in.

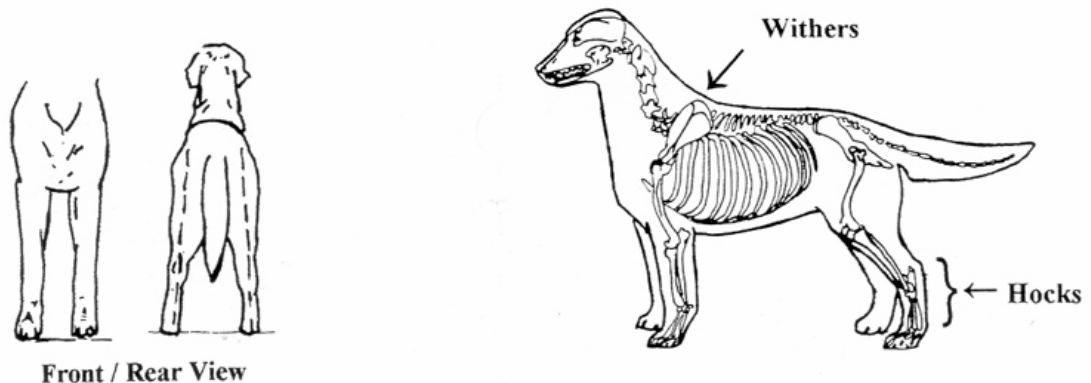
(l) The measurement area will be determined by the Measuring Head Judge.

Dog standing properly to be measured.

NAFA Flyball Measuring Stance



Dogs standing properly to be measured. Hocks are perpendicular to ground regardless of length of stifle.



(m) The dog will be measured from the ground to the top of the withers. The front legs will be vertical with the paws directly below the shoulders. The back legs will be positioned with the hocks perpendicular to the ground and spread no wider than the width of the dog. The head is to be in the upright position as shown in the illustration. If the judge is uncertain of the dog's height after three (3) accurate measurements, the height measurement shall go to the lower height for the benefit of the dog;

(n) Height Cards are to be optional. Refer to NAFA Corporate Policies & Procedures, Chapter 7, Section 7.1 for details on height cards.

CHAPTER 5 – JUDGES

- (a) Five judges shall officiate when two teams are running.
- (b) One judge shall be positioned at each team's starting line, facing each other; one judge is to be located at the box end in each lane, with a good view of the box loader, but not positioned so as to interfere with or distract the dog; and a fifth judge, the Head Judge, shall act as starter and referee.
- (c) The Box Judges and Line Judges shall remain stationary during each heat; dogs may go around judges and balls bouncing off of a judge shall be deemed in play. The principal responsibility of each Box Judge and each Line Judge is to watch for violations in the racing lane that they are assigned.
- (d) The Head Judge (starter and referee) shall be positioned between the racing lanes in the area between the start/finish line and the lead dogs to start the heat. If necessary, the Head Judge (starter and referee) should be in position to assist the Line Judges in determining winners of close heats¹. The Head Judge may confer with the Line Judges and the Box Judges before determining a winner. If necessary, a Head Judge shall reposition themselves in such a manner as not to interfere with competing teams. The Head Judge shall maintain a consistent starting cadence of approximately one (1) second intervals throughout the tournament¹.
- (e) Judges shall indicate with a signal, which dogs must rerun. It's the handlers responsibility to note the signal and rerun their dog. If it is necessary to stop a heat, the judge shall use a whistle.
- (f) The Head Judge shall stop the heat for interference, fouling in the racing lane, or undue aggression by dog or competitor and award that heat to the competing team.
- (g) Line judges shall
- (i) record which dogs participate in every heat, record win/loss using the NAFA Time Sheet(NAFA Form C.2);
 - (ii) indicate with a signal when an infraction has occurred.

CHAPTER 6 – REPORTING FOR RACES

- (a) If a team is more than five minutes late for the scheduled start of a race, all else being in readiness, the Head Judge may declare a forfeit by that team. This is a discretionary rule, since its main purpose is to avoid undue delays at the tournament for spectators and competitors alike.
- (b) Teams that win by forfeit must complete the minimum required heats scheduled to qualify for points awarded in round-robin or to advance in double elimination competition. If another team is not available to compete, the team shall race without an opponent.
- (c) Forfeiting teams that do not show just cause, may be excused from the tournament by the tournament director and may be subject to further discipline.

¹ Without Electronic Judging System

(d) If a team has to forfeit when their “A” and “B” teams are in the same race, the faster team must run and the slower team must forfeit.

(e) Once a team declares themselves Exhibition Only, they cannot return to regular competition. From that point on, the team can no longer obtain NAFA points or tournament points, but may continue to race as long as they do not interfere with the opposing competing team. Once teams declares themselves Exhibition Only, they are ineligible for placement and shall be placed in the lowest seed of any eliminations.

CHAPTER 7 – WARM-UPS

(a) There shall be a designated time period for warm-ups.

(b) There shall be no practice or training in the ring for the duration of the tournament, except for the warm-up as permitted prior to each race. Training in the ring during the competition will mean a forfeit of the heat.

(c) When a team is delayed by a ring conflict, warm-ups shall not begin until both teams are present in the ring. Teams already present and waiting may set their jumps and place their box.

(d) Only dogs listed on the team’s timesheet are allowed to warm up. Each dog must have a valid CRN# and be eligible to compete.

CHAPTER 8 – RULES OF RACING

Section 8.1 – Tournament Seeding/Break-out Rule

Tournaments will be seeded by the times submitted with the team’s entry. After the closing date, the tournament director will divide the entered teams into divisions. Each division’s break-out time will be one (1) second faster than the top team’s seed time. Except in Division 1, a team running more than one (1) second faster than the top team’s seed time will “break-out” of the division, will be declared the loser of the heat, and will not be awarded NAFA Points. If the Electronic Judging System fails, this rule does not apply.

NOTE: Tournament time sheets should be marked BO, show no time, and indicate a loss.

- (i) A team that breaks out three (3) times in a tournament is ineligible for any tournament placement. NAFA points are still awarded for non break-out times;
- (ii) In the event both teams in a heat break-out, both teams will be declared loser, no NAFA points awarded;
- (iii) When one team breaks out and the other team does not finish its heat, both teams will be declared the loser;
- (iv) When the timing table misses calling breakouts and the race has ended, the breakout wins are to be converted to losses. If the converted losses leave the race undecided, additional heats will be run to complete the race;
- (v) In elimination rounds, where seeding is determined by Round Robin, a team ineligible for placement shall be seeded last;

(vi) In elimination round heats, where a team ineligible for placement competes against a team eligible for placement, the ineligible team shall be awarded a loss.

Section 8.2 – Jump Heights

(a) Jump heights shall be set at a minimum of four inches lower than the height at the withers of the smallest dog on the team (running, not stand-by), to a minimum of 8 inches. Maximum jump height shall be 16 inches;

(b) Jump heights shall be adjusted in one inch increments, to the lowest whole number (14 and 3/4 inches becomes 14 inches).

Section 8.3 – The Heat

(a) The Run: Dogs may start from a stationary or running start. Each dog is to hurdle the four jumps in succession, trigger the box, and return over all four jumps and the start/finish line with the ball in its mouth. Only when the first dog has reached the start/finish line with any part of its body (on the ground or in the air) may the second dog reach the start/finish line with any part of its body (generally this is a nose to nose pass at the start/finish line), and so on for all four dogs as well as dogs that must run again.

(b) False starts

(i) When any part of the dog's body, whether in the air or on the ground, or any part of the handler's body or their objects passes the start/finish line before the timing of the race begins, an infraction will be called by the line judge and the head judge and the heat will be restarted;

(ii) If a second such infraction is called against the same team for that heat, an infraction will be indicated and the dog must run again;

(iii) If a second false start is called coincidental with the opposing team's first false start, the heat is to be restarted.

(c) Box Malfunction: The box loader shall indicate to the Head Judge when there is a box malfunction. The heat shall be stopped. The Head Judge is to examine the box. If, in the opinion of the Head Judge, the box has malfunctioned the heat shall be run again. If the box is found to be working, then the heat shall be forfeited. If another box is not available and the box can not be repaired in a reasonable time, the heat and any remaining heats are to be forfeited. If the box malfunctions a second time (or the spare box malfunctions) in the same race, the heat shall be forfeited and all remaining heats in that race shall be forfeited.

(d) Fouling: If a dog relieves itself in the racing lane, the team forfeits the heat.

(e) Conduct of the box loader: Except during the warm up, to retrieve a loose ball, or get a fresh supply of balls to load for the current heat, the box loader must remain in the upright position behind the box, and may offer verbal encouragement only, as long as such encouragement does not distract the opposing team. As a courtesy to opposing teams, the box loader is to remain in position until the outcome of the heat is determined by the Head Judge. If, in the judge's opinion, a box loader has violated any of these rules, their team may forfeit the heat.

(f) Inside Interference: If a dog or any team member interferes with the opposing team during a heat, the team causing the interference will forfeit the heat. This includes interference in the racing lane, in all in bound areas, and in the area where dogs are waiting to run. Interference is defined as impeding the other team's dog from running its race. A dog chasing a loose ball into the other team's area is not necessarily interference. In the event on interference, the judge will assign an estimated time to the team that was interfered with. The time will be marked as estimated and will not be used to determine placement.

(g) Distractions: Team members shall not distract the opposing team by any means, nor throw any object for their dogs (i.e. balls, toys, Frisbees, dummies, gloves, or treats). Team members are required to pick up any loose balls. The first offense of these infractions shall receive a warning; a second offense and any offense thereafter during the race will result in the loss of the heat.

(h) Safety Hazards: If, in the opinion of the head judge, a safety hazard exists during the running of the heat, the heat shall be stopped and rerun.

(i) Flags: Dogs that receive a flag must be rerun after the initial four dogs in the order they were flagged. Racing infractions requiring the rerunning of a dog include:

- (i) Early passes will be indicated by the EJS and the Line Judge and/or the head judge. When running without an EJS system, the line judge will indicate an infraction;
- (ii) Missed jumps;
- (iii) Not carrying the ball over each jump in succession;
- (iv) Does not trigger the box;
- (v) Dog takes the ball from the cup without first triggering the box;
- (vi) Does not carry the ball over the start/finish line;
- (vii) Inappropriately assisted by the boxloader, spectator or handler;
- (viii) A handler or their object crosses the start/finish line during the dog's run (with the exception of resetting knocked down jump(s) or retrieving loose ball(s)).

(j) Knocked down jumps: A team whose dog(s) knocks down a jump(s) during its run shall not be penalized, provided all their dog(s) clear the jump(s) as if it were standing. A "runner" or handler may set up knocked down jump(s) if so doing does not interfere with either team or guide the dog in any way.

(k) Intervention: Should the ball bounce back in the cup as the dog tries to catch it, the box loader may re-set the box for the dog to trigger it (without penalty). This is the only time at which the box loader is permitted to signal a dog to push the pedal.

(l) The finish: The first team to have all four dogs successfully complete a run wins the heat. The finish shall be when the last of the four dogs reaches the finish line with any part of its body.

(m) Winner: Determining the winner of a heat

- (i) When a heat is judged using the Electronic Judging System, the winner of close heats shall be determined based on the Electronic Judging System times. When the

times are within .003 of a second (for example, a time of 21.798 versus 21.801) the Head Judge shall declare the race to be a tie;

(ii) When a heat is judged to be a tie with manual judging (in the absence or failure of the Electronic Judging System), the head and line judge's decision as to the winner of the heat must be unanimous and shall be based on their visual view of the finish line, not on the clocks. If the Line Judges are not in agreement, the Head Judge shall consult with the Line Judges and either declare a winner or declare the heat to be a tie.

Section 8.4- Aggressive Dogs

If a dog shows undue aggression toward another dog or handler at any time during the competition, the Head Judge may excuse the dog from competing. The degree of aggression that warrants excuse is to be determined by the Head Judge.

Section 8.5 – Condition of Dogs

(a) Wrap on dog's legs may be used. The Head Judge has the right to inspect any dog at any time during the tournament.

(b) If in the opinion of the Head Judge, a dog is lame, in season, recovering from surgery, or for any related reason should not compete, the same shall be excused from competition.

Section 8.6 – Race Results

Host clubs must post race results (heat times and wins/losses) for competitors, as soon as possible, following the running of each race.

GLOSSARY

Ring - the area in which flyball racing occurs. This area includes the racing lanes, from the backstops to the start/finish lines, the runback area and the required clearances beside the racing lanes/runback area. See Chapter 2.

Handler - The person releasing and/or catching the dog.

Tournament - an event where clubs and teams compete, using agreed upon rules, format, and regulations.

Class - An established category of racing. See Chapter 5, section 5.2 of Corporate Policies & Procedures.

Forfeit - Where a team cannot, or chooses not to complete, and thus loses the race. See Chapter 6 (b) & (c).

Breakout - when a team, during competition, runs faster than the designated time for the division in which it is competing. See Chapter 8, Section 8.1.

Training in the ring - where, once racing has started, the handler uses techniques and/or devices that would be used to train. See Chapter 7 warm-ups, Chapter 8, Section 8.3 - The Run.

For Exhibition Only (FEO) - where a team chooses not compete in a tournament. See Chapter 6 (e).

Race - a group of heats that determine a victor.

Heat - a single competition in which a winner or tie is determined, several of which will determine the winner of the race.

Start/finish line - a line on the floor which determines the plane which the dog crosses to start and end his run. See Chapter 2 - Ring Setup and Chapter 8, Section 8.3 -The Run.

Inside Interference - Where a factor inside the racing lane interferes with a team during a heat.

Outside Interference – Where a factor from outside the racing lane, not involved in the current heat interferes with a team during a heat.

Club - an organization that is registered with NAFA and is represented solely by one Owner.

Team - a subpart of a club. Teams are created by the Club to compete at NAFA Sanctioned Events.

Good Standing – A Club is not in good standing with NAFA when any of the following are true: (i) the Club is not current paying NAFA fees; (ii) the Club itself is on probation or suspension; (iii) the owner of the Club is on probation or suspension. A person is not in good standing with NAFA when any of the following are true: (i) the person is not current paying NAFA fees; (ii) the person is on probation or suspension.

NORTH AMERICAN FLYBALL ASSOCIATION, INC.

CORPORATE POLICIES & PROCEDURES

CHAPTER 1 – EXECUTIVE DIRECTOR STAFF

Section 1.1 – Statistician

The Executive Director will appoint one or more statisticians to manage the following:

- (i) Maintain records and manage changes and additions.
- (ii) Process applications for new clubs and assign club numbers.
- (iii) Issue Competition Racing Numbers (CRNs).
- (iv) Mail certificates and point summaries to clubs on a quarterly basis.
- (v) Score tournament timesheets and submit results to the NAFA database.
- (vi) Distribute pins for awards earned.
- (vii) Distribute plaques for awards earned.

Section 1.2 – Tournament Sanctioning Secretary

The Tournament Sanctioning Secretary is appointed by the Executive Director and is responsible for:

- (i) The sanctioning of NAFA tournaments.
- (ii) Distribution of tournament packages to clubs including current forms, confirmation of sanctioning and courier materials for return of results.

Section 1.3 – NAFA News

(a) The NAFA News editor is appointed by the Executive Director and shall be responsible for:

- (i) Editing and compiling the NAFA News for publication.
- (ii) Soliciting articles of interest for inclusion.

(b) The NAFA News shall include:

- (i) Upcoming tournaments.
- (ii) Current name, address, and phone information for NAFA contacts.
- (iii) Articles of interest from judges, regional directors, Board members, the Executive Director and/or other parties.

Section 1.4 – EJS Coordinator

The Executive Director shall appoint one or more EJS coordinators to be responsible for:

- (i) The coordination and shipping of NAFA owned EJS systems to tournaments in their specified geography.
- (ii) The collection of requirements for future EJS systems or changes to current EJS systems.
- (iii) The maintenance of EJS systems to assure continued, reliable operation.

Section 1.5 – Webmaster

The Executive Director shall appoint one or more webmaster, responsible for the following:

- (i) Procurement of web servers to host NAFA content on the World-wide web.
- (ii) Maintenance of content to be presented on the web, including the assurance of its currency.
- (iii) Recommending new and innovative ways NAFA might exploit emerging web technology to further its stated purposes.

Section 1.6 – Regional Directors

(a) NAFA's geography shall be divided into regions by the Executive Director and approved by the Board of Directors.

(b) Regional Directors shall be appointed by the Executive Director, and approved by the Board of Directors.

(c) The Regional Director will be responsible for a geographical region based on the number of clubs and tournaments.

(d) The Regional Director shall:

- (i) be willing and capable of advising and assisting new clubs;
- (ii) work with the tournament directors and be responsible for the final approval of the tournament schedule, format and the seeding of teams at NAFA sanctioned tournaments;
- (iii) communicate regional business with the Executive Director;
- (iv) attend or be represented at NAFA sanctioned tournaments in their region;
- (v) have the authority to put on notice the tournament director, host club, competing club, individuals, or judge for violating NAFA Rules or policies, conduct prejudicial to the sport;
- (vi) have the authority to excuse any individual from a tournament for breach of Code of Ethics;
- (vii) observe the measuring of dogs by Head Judges, using NAFA supplied and approved measuring devices;
- (viii) demonstrate a knowledge of the NAFA Rules of Racing and Corporate Policies & Procedures, and be in good standing with NAFA.

(e) If the Regional Director is a tournament director or their club is a host club, the Executive Director shall designate an acting Regional Director for their tournament.

CHAPTER 2 – JUDGES

(a) Judges should be friendly and courteous, even sympathetic, but above all impartial and firm. Judges must have a thorough understanding of the rules and policies gained through personal experience

(b) The judge's responsibility also extends to the exhibitors, to the host club or organization, and the spectators and sponsors. A judge must be an arbiter and diplomat. A judge must leave exhibitors and spectators with the feeling that each team was given an equal opportunity and no team was given an unfair advantage.

(c) A judge is not to engage in conversation with a disgruntled exhibitor. The Head Judge may excuse any person for breach of the Code of Ethics.

(d) Upon arriving at the site, a judge shall immediately report to the tournament director. Judges should be at their ring at least one half hour before the competition to check the ring, jumps, matting, and backstops. If dogs are to be measured and boxes inspected before the competition, the judge should allow additional time as directed by the tournament director.

(e) The rules of racing and corporate policies & procedures are a basic guide. They should not be considered a manual containing explicit direction for every possible situation. Judgment calls should be based on the experience, good character, and fairness of the judge. The intelligent application of discretionary authority demands that a judge exercise common sense, fairness, and initiative. **Above all else, the safety and well being of the dogs and exhibitors shall be foremost.**

(f) Judges shall not assist teams during warm-ups.

(g) Persons interested in becoming an approved NAFA judge must:

(i) Submit an application form (NAFA Form C.5) to the Education and Training Committee. All applicants must be 18 years of age and are expected to own or purchase a current copy of the NAFA Rules of Racing & Corporate Policies & Procedures, and know them thoroughly. Applicants must pass a written or verbal test administered by a member of the Education and Training Committee or a NAFA Head Judge appointed by the committee.

(ii) Apprentice judges will judge at least 20 races at three (3) tournaments on different weekends under the supervision of a NAFA appointed Supervising Head Judge. In addition, the apprentice judge must line judge, box judge, and observe at least 20 races under a NAFA appointed Supervising Head Judge. (At the discretion of the Judges and Guidelines Committee, some leeway in the number of assignments may be given to an apprentice in regions where tournaments are scarce.)

(iii) Each Supervising Head Judge will complete an Apprentice Review Form for each assignment, and give it to the candidate. (Giving the candidate the evaluation forms will enable them to see where their strengths and weaknesses are, and to improve their skills before their next apprentice assignment.)

(iv) When the apprentice has collected three (3) approved review forms, he or she shall forward them to the Education and Training Committee. Once provisional status has been assigned by the committee, the Provisional Judge's name will be published in the NAFA NEWS for the benefit of clubs looking for judges, so that the

Provisional Judge can receive the necessary assignments to become an approved Head Judge.

(v) To become an approved Head Judge, the Provisional Judge must judge a minimum of 20 races at three (3) tournaments within a 12 month period. The Provisional Judge will submit a provisional judges review form to each tournament director and/or Regional Director for completion. Completed forms are to be forwarded directly to the Education and Training Committee, by the Tournament or the Regional Director. After reviewing the three (3) forms, the Education and Training Committee will notify the applicant (in writing) of denial, or forward the applicant's name to the NAFA Board of Directors for final approval. Upon approval, the newly approved Head Judge will be notified and their name published.

(vi) To maintain Head Judge status and ensure that NAFA Head Judges keep up on their technique and maintain the knowledge necessary to be an effective judge, NAFA will require the following:

(a) In each racing year, a Head Judge must judge at least one division in two tournaments on different weekends.

(vii) Judges who do not fulfill the requirements to maintain their active status in any one year must judge at least 1 division of a sanctioned tournament under the supervision of a NAFA Supervising Head Judge and judge one other tournament to be reinstated. Judges whose approved status lapses for more than 1 year will not be reinstated, but must begin the apprentice process again.

(h) The following is a list of criteria for NAFA Supervisory Head Judge status;

(i) Prospective judges must have been involved in the sport of flyball for a minimum of 5 years, with at least 3 continuous years as a NAFA approved judge.

(ii) Prospective judges must be in good standing with NAFA, with no letters of discipline, probation or suspension in their records, dating back at least 5 years.

(iii) In the time the prospective judge has been judging, he or she must have judged a minimum of 1 division in 25 tournaments on separate weekends, in order to gain the kind of experience required to supervise new judges

(iv) Prospective judges must possess all of the best qualities one could want in a Supervising Judge.....fairness, firmness, safety minded, a good attitude to the sport, the participants, the spectators, a sense of responsibility to the sport and as a representative of NAFA.

(v) Prospective judges must be willing and able to mentor new and apprentice judges, answering questions, challenging apprentices, and generally overseeing the education of the new judge. The sharing of experiences and the ability to explain rulings and other nuances of the sport are an absolute must.

(vi) Prospective judges must have excellent measuring skills since his or her measurement is the deciding factor for any height cards.

(vii) Prospective judges for Supervisory status may be proposed to the Board of Directors in writing by any Board member, judge, or participant in official NAFA events. Such proposals must be accompanied by the signatures of endorsement of at least 5 different tournament directors the applicant has judged for, 2 fellow NAFA approved judges, and the Regional Director for the applicant's home region.

(viii) It is understood that the meeting of all of the necessary criteria for Supervisory status does not mean an automatic approval by the Board of

Directors. It is not the intention of the Board to appoint great numbers of Supervisory Judges in any area.

(ix) The Board of Directors reserves the right to revoke Supervisory status at any time for just cause.

(x) If a Supervising Judge fails to maintain his/her regular judging status, supervising Judge status is revoked and must be reapplied for.

(i) Line or box judges under the age of 18 must have prior approval from the Regional Director. (Head Judges should also be notified).

(j) Judges are not permitted to consume alcohol during their judging assignment.

CHAPTER 3 – ANNUAL GENERAL MEETING

(a) An annual meeting will be held each year to discuss old and new business and tabulate votes for Board members and the Executive Director as required.

(b) The actual number of votes for each candidate will be made public at the annual meeting and published.

CHAPTER 4 – DELEGATE VOTES

(a) When the Board of Directors calls for a delegate vote on a topic, the proposed issue will be published to the delegates for comment. Following a three (3) month comment period a vote will be called. For the motion to pass, the motion must be supported by 2/3 of the delegates voting. Delegate votes shall be conducted by mail or other similar means.

(b) Club owners shall submit a list of delegates within 30 days of receiving their delegate counts for the current year from NAFA. Delegate information not submitted within the allowed timeframe shall result in the forfeiture of delegates for that year.

(c) Any items put to delegate vote and defeated can not come up again for 3 years.

CHAPTER 5 – CODE OF CONDUCT

Section 5.1 – Code of Ethics

(a) One of the objectives of NAFA is to promote cooperation and good sportsmanship in the training and exhibition of dogs. Cooperation and good sportsmanship should not be recognized in passive observance, but as a way of life in training and competition. Participants shall at all times be courteous and friendly and never conduct themselves in a manner that would bring discredit to Flyball. At no time should they show displeasure with a dog, judge, exhibitor, NAFA representative, sponsor, host, or spectator in or out of the ring.

(b) Training and exhibiting shall be carried out by such methods that keep in the best interest of the dog and Flyball.

(c) Abuse or severe disciplining of a dog is not in the best interest of Flyball. No dog under the age of one (1) year may compete in a sanctioned event.

(d) Misconduct shall include, but not be limited to, abusive or foul language, demonstration of dissatisfaction with a judge's decision, inhumane treatment of a dog, demonstration of poor sportsmanship, willful violation of the rules with the intent to gain an unfair advantage, or any other behavior or altercation that would leave a spectator or exhibitor with an unfavorable opinion of Flyball.

(e) Participants shall always follow the rules of racing and corporate policies & procedures, showing knowledge and an understanding of the same.

(f) Any individual or club in good standing with NAFA may file a protest or prefer charges against another individual or club for alleged misconduct, in or out of the ring, prejudicial to the best interest of flyball as provided for under Section 5.2. Protests filed during competition should be done in such a manner as not to bring discredit to flyball.

(g) Regional Directors should warn teams and file unsportsmanlike conduct charges if teams are obviously and repeatedly holding back their dogs in tournaments.

Section 5.2 – Discipline

(a) Charges - Any one in good standing with NAFA may prefer charges against another for conduct prejudicial to the best interest of Flyball. Written charges must be filed with the Board of Directors with a \$25.00 fee (US funds), which will be forfeited if the charges are not sustained.

(b) Hearing – The Board of Directors shall set a date, time, and place to consider the charges. Both defendant and complainant shall be notified as to the date, time, and place of the hearing.

(c) Discipline - Should the charges be sustained, after hearing all the evidence presented, first by the complainant and second by the defendant, by a majority vote, the Board of Directors may suspend or place on probation the defendant from all NAFA benefits and privileges. Defendants that are also members of the Board of Directors may not vote in such cases of discipline.

Section 5.3 - Pre-hearing

(a) Preliminary Investigation: Investigate all complaints and make a preliminary determination, and if the alleged conduct is proven true, would it be prejudicial to the sport and did it occur at or in connection with a NAFA sanctioned event.

(b) Hearing Notice: If following the preliminary investigation it is determined that the alleged misconduct, if proven true, would be prejudicial to the sport and it occurred at or in connection with a NAFA sanctioned event, then the accused must be advised of;

- (i) the charges and specific conduct alleged to be prejudicial to Flyball;
- (ii) where and when the hearing will be held;
- (iii) when and where the alleged misconduct occurred;

- (iv) their rights to be present, to testify and to present witnesses and;
- (v) if the accused prefers, they may present their defense in writing.

(c) The accused must be given reasonable time to secure witnesses and prepare a defense.

Section 5.4 - Hearing

(a) The Chairperson introduces themselves and the members of the committee and designates one member to keep a record of the proceedings.

(b) The Chairperson advises the accused of the specific charges.

(c) The Chairperson advises the accused of their right to

- (i) hear, confront, and question all witnesses;
- (ii) to present witnesses on their behalf and;
- (iii) to testify on their behalf.

(d) The Chairperson shall determine and list witnesses to be called by the committee and the accused.

(e) The Chairperson excuses all persons except the committee, the accused, and the witnesses.

(f) The Chairperson shall call the witnesses, first those named by the committee and then those named by the accused. The Chairperson shall ascertain the **full name and address** of each witness as they are called. The Chairperson shall question the witness and then allow the accused to question the witness.

(g) After all witnesses have testified, the Chairperson shall permit the accused to make a final statement in response to the charges.

(h) The Chairperson shall then excuse all persons except the committee. The Chairperson shall ask the accused to remain available to receive the committee's decision.

Section 5.5 - Post-Hearing

(a) After deliberation and by majority vote, the committee shall determine;

- (i) as to whether the charged conduct has been proved;
- (ii) whether such conduct was prejudicial to the best interest of the sport of Flyball;
- (iii) whether the charged conduct occurred in connection with or during the progress of a NAFA sanctioned event.

(b) If any of Sections 5.5 (a), (i), (ii), or (iii) are not proven, the committee shall dismiss the charges. If Section 5.5 (a), (i), (ii), or (iii) are proven to be true, the committee may suspend the accused from all NAFA membership or take other appropriate disciplinary action.

(c) After the committee makes its decision, the Chairperson shall;

- (i) if possible, immediately notify the accused of the committee's decision and any discipline taken;
- (ii) notify the accused, in writing, by registered or certified mail, of the committee's decision and any discipline taken, and;
- (iii) prepare a complete report of the proceedings for the records and send a **duplicate copy of the report to the accused.**

Section 5.6 - Probation

(a) A Regional Director may put on notice a tournament director, host club, team, or judge within their region for violating NAFA Rules of Racing and Corporate Policies & Procedures or for conduct prejudicial to Flyball. The notice, whether verbal or written must be documented and forwarded to the Board of Directors. A second notice for the same or similar violations or for conduct prejudicial to Flyball shall be reported to the Board of Directors for appropriate actions.

(b) The Board of Directors may put a tournament director, host club, team, Regional Director or judge on probation for one year. If the problem is not corrected to the satisfaction of the Board of Directors, the tournament director, host club, team or judge may be prohibited from participating in NAFA sanctioned events.

(c) A club who is not in good standings or is on probation will not be awarded regional points for any portion of a racing year at any tournament at which they compete. The points will be awarded to the next highest placing team in good standing.

Section 5.7 - Aggressive Dogs

If a dog shows undue aggression toward another dog or handler at any time during the competition, the Head Judge may excuse the dog from competing. The Head Judge must report any dog excused from competition to the Executive Director on NAFA Form C.12. The dog will be barred from future competition after the second such report. An application for reinstatement may be submitted after a period of one year.

A dog that has one excusal for aggression can submit a request to have that incident removed from their record. The request must come no earlier than 3 years from the date of excusal and the dog must have participated in a minimum of 10 weekends of tournaments since its excusal with no further incidents. The request may be submitted to the Disciplinary Committee.

Section 5.8 – Publishing of Disciplinary Action

NAFA will publish all individuals, dogs, and/or clubs that have disciplinary actions in affect against them. NAFA will publish the name, effective date, action taken, and offense in each NAFA News for which the punishment is in affect.

CHAPTER 6 – HOSTING A NAFA SANCTIONED EVENT

Section 6.1 – Requirements

(a) NAFA sanctioned tournaments may only be hosted by NAFA or NAFA registered clubs in good standing. The host club must follow current NAFA Rules of Racing and Corporate Policies & Procedures.

(b) The host club must submit a complete application (NAFA Form C.3).

(i) NAFA will not sanction tournaments where all dogs would not be allowed to participate on the tournament grounds. eg. certain breeds banned.

(c) All tournaments, with the exception of unlimited tournaments, will not accept entries until one calendar month prior to the closing date.

(d) Applications for sanctioning of unlimited entries are to be received by NAFA at least sixty (60) days prior to the closing date. Applications for sanctioning of limited entries are to be received by NAFA at least 90 days prior to the closing date.

(e) NAFA will sanction a tournament within 300 road miles from another previously sanctioned tournament, with the written approval from the sanctioned tournament's club owner.

(f) Tournaments will not be sanctioned by NAFA where a permanently covered dirt racing surface is commonly used for housing cattle, swine, or poultry.

(g) All seeding and placing of teams in divisions is to be approved by the Regional Director.

(i) Whenever it's necessary to run divisions of less than 4 teams, combine the division with an adjacent division. Division placements and break-out times for each individual division still apply.

(ii) The Regional Director shall receive seeding and tournament formats from the Tournament Director no later than 10 calendar days before the tournament.

(h) The host club must get written approval from NAFA for any and all special or unusual requests.

(i) All clubs registered with NAFA are to be notified of the date, time and location of the tournament, and the name and phone number of the contact person, prior to the closing date.

(j) The host club may not limit entries to less than four. In cases of limited entries, the host club must accept entries in order of date received. All the entries may be from the same club (i.e. Front Runners A team, Front Runners B team, Front Runners C team, Front Runners D team, etc.), however, multiple entries from the same club are to be treated as one entry until after the closing date. Any remaining openings are to be filled by the second entry from those clubs that enter more than one team, followed by the third entry from those clubs that enter more than two teams and so on until all entries are filled.

(k) Prize money for any one team may not exceed \$500.00 (US Funds) per event per day. In addition, a host or sponsor may offer expense money provided the same is distributed fairly among all participating teams, based on actual expenses.

(l) The following items will be sent to NAFA within 14 days after the tournament, via NAFA approved courier:

- (i) a recording fee of \$20.00 (US funds) per team that competed;
- (ii) original time-sheets (NAFA Form C.2);
- (iii) completed Jump Heights Form (NAFA Form C.9);
- (iv) completed Tournament Results Form (NAFA Form C.6).

(m) The following penalties will be applied when recording fees, timesheets, jump height forms, and tournament results are not received by NAFA within 14 days after a tournament:

- (i) 15 plus days late, a fee of \$50.00 (US Funds) will be charged;
- (ii) one calendar month plus, a \$100.00 (US Funds) late fee will be charged;
- (iii) greater than two calendar month's late and the club is put on probation for a period of 1 year;
- (iv) greater than three calendar months late and the club is suspended. Any suspended club would need to request reinstatement from the Board of Directors.

(n) Any tournament sanctioned by NAFA must use a NAFA approved Head Judge.

Section 6.2 - Classes of Competition

(a) NAFA recognizes three classes of competition: Regular, Multibreed, and Non-Regular.

(b) The NAFA Regular class of competition includes teams made up of any breed(s) of dog and/or mixed breeds and **must be offered at every sanctioned tournament.**

(c) A Non-Regular class (Pee-wee, Veterans, etc.), is any class other than the NAFA Regular and Multibreed class.

(d) In Multibreed competition, teams must consist of different breeds (minimum of 4, maximum of 6 with 4 different breeds running in a heat) recognized by any of the following Kennel Club's: American Kennel Club, Canadian Kennel Club, United Kennel Club, Mexican Kennel Club, American Rare Breed Association, or a dog of mixed breeding.

(e) No dog can run on more than 1 team in any given class.

(f) Dogs may not compete in more than one class at a NAFA sanctioned tournament except

- (i) When the tournament's regular class is unlimited or;
- (ii) When a limited entry tournament's regular class does not fill or all entries received are accepted.

Section 6.3 – Format & Schedule

The tournament format & schedule shall be approved by the Regional Director. Each team participating in the tournament (and the Head Judge) shall be notified no less than 48 hours prior to competition. The tournament format includes:

- (i) Teams in each division along with the seed time of each team and the breakout time assigned to that division.
- (ii) Format of the tournament, ie., Round Robin with or without Single/Double elimination, and whether the two rounds are added together or not.
- (iii) Scoring – how wins and placings are determined; and how tie scores would be broken.

Section 6.4 - Seeding

(a) Tournaments will be seeded by the times submitted with the team's entry. After the closing date, the tournament director will divide the entered teams into divisions. Each division's break-out time will be one (1) second faster than the top team's seed time. Except in Division 1, a team running more than one (1) second faster than the top team's seed time will "break-out" of the division, be declared the loser of the heat, and will not be awarded NAFA Points. If the Electronic Judging System fails, or is not used this rule does not apply. **NOTE:** Tournament time sheets should be marked BO, show no time, and indicate a loss.

Section 6.5 – Electronic Judging Systems

(a) If there is a shortage of available EJS's for a tournament date, the repeat tournament dates have priority.

(b) If NAFA owned EJS systems are not available, NAFA will pay \$200.00 to rent a privately owned EJS system, if applicable. NAFA will repair any damage to the EJS incurred during the actual tournament for which the EJS was rented by NAFA. Damage reports are to be written by the Regional Director, and forwarded to the Executive Director.

(c) NAFA owned EJS systems may be rented from NAFA for \$200.00 (provided they are not required at a NAFA Sanctioned tournament), plus the cost of shipping one way. Clubs using NAFA's EJS for demos are liable for all damages that occur during the demo and the shipping from the demo.

(d) Tournaments with less than 10 teams will pay NAFA \$200.00 to cover shipping cost. Tournaments with 10 to 40 teams will get 1 set of lights for free. Tournaments with more than 40 teams are eligible to receive 2 sets of EJS lights.

(e) Private clubs can order EJS from NAFA's supplier with a \$50.00 fee to be paid to NAFA for use of the software.

(f) NAFA EJS shall be shipped out by the host club the day after the completion of the tournament. If the NAFA assigned carrier is closed the day after the tournament, the EJS must be shipped out at the next available day.

- (i) A hundred dollars (US) will be fined to the host club, if EJS is not shipped out the next available day following the completion of the tournament.

(ii) A two hundred and fifty dollar (US) will be fined to the host club, if EJS is not shipped out the next available day following the completion of the tournament and affects the next tournament.

CHAPTER 7 – STANDING RULES OF COMPETITION

Section 7.1 – Height Cards

(a) Height Cards are to be optional. Dogs must race in NAFA sanctioned events for 1 year before their owner can apply to NAFA for a height card application. Applications for height cards, at the cost of \$5.00 US Funds each, must be applied for through NAFA. Each application will be embossed with the corporate seal and numbered. Applications must be presented to the measuring recorder before the dog is measured and the Measuring Head Judge must be notified prior to measuring the dog. All dogs will need 3 matching measurements from 3 different approved NAFA judges. At least 1 of the 3 judges must be a NAFA designated, Supervising Head Judge.

(b) Final jump height cards cannot be contested. Height cards issued by NAFA will be wallet-size laminated cards and will be good for the life of the dog. Handlers who forget their height cards at any given tournament, may have their jump height contested. Completed height card forms are not accepted in lieu of a jump height card.

Section 7.2 – Record Times

(a) To verify a new NAFA record time the judge must verify the following using NAFA form C.13: Race lane length, jump placement, box throw, jump heights, and height dog measurement.

(b) Video recorded record breaking times shall be reviewed by a minimum of two neutral members of the Board of Directors. The video must be set on the starting line. The Head Judge must also verify the measurements of the lane, the height dog, and the Flyball box. Only video recorded record breaking times can be verified by the Board of Directors. Record breaking times not recorded on video in the described manner will not be recognized as a NAFA record.

Section 7.3 – Racing Year

NAFA'S racing year is October 1st through September 30th.

Section 7.4 – Meaningless Heats

Heats that are meaningless to the outcome of a sanctioned tournament are not to be run just for the sake of allowing teams to accumulate more points toward flyball titles.

Section 7.5– Changing Clubs

If a dog has raced in a NAFA sanctioned tournament, the dog may not race with another club for **90 calendar days**. Any deviation from this rule requires the team to run "non-

competitive", and no NAFA points will be awarded. This rule will start being enforced January 1, 2003.

Until that time the old rule is in affect:

If a dog has raced in a NAFA sanctioned tournament, the dog may not race with another club for **four (4) calendar months**. Any deviation from this rule requires the team to run "non-competitive", and no NAFA points will be awarded. Once an exception to the four month rule is granted, no further exceptions for that dog will be granted for 12 months. Exceptions are as follows, and must be approved by the Regulatory Committee:

- (i) The handler/dog have moved to another area;
- (ii) A dog is sold to a new owner;
- (iii) A club agrees to dissolve;
- (iv) A new club is formed. Once a dog has joined a club, that dog may not run with another club, new or existing, for a period of **four (4) months**. A club is considered to be "new" until they race in their first NAFA sanctioned tournament.

CHAPTER 8 – AWARDS

Section 8.1 - Points

Each time a team races in a NAFA sanctioned Flyball tournament with a recorded time under 24 seconds, each dog racing in that heat will receive 25 points toward a Flyball title; under 28 seconds each dog racing in that heat will receive 5 points; under 32 seconds each dog racing in that heat will receive 1 point; provided that a NAFA judge is present and at least four teams compete. Each of the four teams must actually compete. All four teams may be from the same club provided each team registered with NAFA was given an equal opportunity to enter, but chose not to.

Section 8.2 - Titles

(a) NAFA will award a certificate of achievement and the title Flyball Dog (FD) to any dog receiving 20 points.

(b) NAFA will award a certificate of achievement and the title Flyball Dog Excellent (FDX) to any dog receiving 100 points.

(c) NAFA will award a certificate of achievement and the title Flyball Dog Champion (FDCh) to any dog receiving 500 points.

(d) NAFA will award a certificate of achievement, a commemorative pin and the title Flyball Master (FM) for any dog receiving 5,000 points.

(e) NAFA will award a certificate of achievement, a commemorative pin and the title Flyball Master Excellent (FMX) for any dog receiving 10,000 points.

(f) NAFA will award a certificate of achievement, a commemorative pin and the title Flyball Master Champion (FMCh) for any dog receiving 15,000 points.

(g) NAFA will award a commemorative pin, plaque and the title "Onyx", named after its first recipient, for any dog receiving 20,000 points.

(h) NAFA will award a commemorative pin, plaque and the title Flyball Grand Champion (FGDCh) for any dog receiving 30,000 points.

Section 8.3 - Regional Champions

(a) Club must be in good standing with NAFA for the entire racing year.

(b) All points for Regional Championships are to be earned in the club's home region.

(c) Only one team from each club will qualify for Regional Championship points at each tournament (i.e. Clubs fielding more than one team may not count points accumulated from both teams towards the Regional Championship). Points accrue to a Club.

(d) A minimum of four tournaments must be competed in during the competition year, which runs from October 1st to September 30th the following calendar year. To qualify for points towards Regional Championships, tournaments must have a minimum of four teams competing. Regular classes limited below 20 teams that fill will not count. Multi-breed classes limited below 12 teams that fill will not count.

(e) Points are to be accumulated from up to 80 percent of the tournaments within any given region. For example, if a region has a total of 11 tournaments in the competition year, 80 percent of that would equal 8 tournaments. Points towards Regional Championships would count from the best 8 finished for any given Club.

Top Finishing Regional Team	3 points
2 nd Place Regional Team	2 points
3 rd Place Regional Team	1 point

(f) The Club with the highest total points will be named the Regional Champions.

(g) In the case of a point tie, the best times from each Club's four (4) best tournament placings will be averaged. So if a Club places second in a tournament, but has four other tournament wins, the times from the tournament wins will be used in the average, regardless of how good a time was in the 2nd place result. The Club with the lowest average time will be named the Regional Champion. If a tie still exists after the tiebreaker is exhausted, Co-Champions will be named.

(h) If a team disbands prior to the end of a racing year, they are not eligible to win a regional championship and all points are null and void.

Section 8.4 – NAFA Champions

(a) The NAFA Champions will be named from among the Regional Champions.

(b) A minimum of six (6) tournaments must be entered, regardless of their location, to qualify for the NAFA Championship. Of all tournaments entered in any competition year (inside or outside of a team's region), the best time from a club's six fastest tournaments will be averaged. The Club with the lowest average time will be named the NAFA Champions. If a tie exists, Co-Champions will be named.

Section 8.5 – Clyde Moore Memorial Hall of Fame

NAFA may induct two dogs per year into the Hall of Fame. Using the following criteria, NAFA members are asked to nominate candidates that they consider deserving of this award using form C.7.

- (i) Longevity: A dog must have raced in NAFA sanctioned events for a minimum of four (4) years;
- (ii) Notoriety: How well known is this dog? Nominees should be easily recognizable within their own racing area;
- (iii) Team value: What is the worth of this dog to its team, i.e. untiring start dog, height dog, most consistent dog, fast anchor dog. Although other titles and achievements may be included in the nomination, each dog will be judged on the above Flyball criteria only.
- (iv) Also, in order to be inducted into the Hall of Fame a dog must have 35% or more of the vote returned.

Submit a brief resume of two hundred (200) words or less to include the dog's name, CRN Number, breed, clubs raced with, and the reasons he or she deserves consideration.

Each year all candidates will be judged by NAFA's Board of Directors in order of merit. A list of no more than five (5) finalists will be selected and put to a delegate vote.

Submit nominations to NAFA by May 31st of each year by mailing to the Hall of Fame Committee at the published NAFA address.

NAFA encourages anyone who feels that they have a dog worthy of recognition to keep photographs.

Section 8.6 – Regional MVP Award

(a) This award is given to the canine deemed most valuable in their specific region. Only 1 candidate will be given this award per year, per region.

(b) Nominations must come from a club in the candidates region using form C.14. Nominations shall be no more than 200 words, citing the candidate's contribution and outstanding qualities that make them deserving of the award. Candidates can not have previously won the award. Nominations should be sent to the NAFA mailing address. Submit nominations to NAFA by May 31st of each year by mailing to the Hall of Fame Committee at the published NAFA address.

(c) A committee shall be appointed by the Board of Directors, and chaired by a member of the board. This committee will review the nominations and ensure they meet the above nomination criteria. All qualified nominations will be put to ballot vote.

(d) In conjunction with annual delegate voting, voting sheets will go out to delegates with only those candidates in their region. Delegates may vote for only one candidate. All votes must be returned in conjunction with deadlines set forth in the Hall of Fame voting.

(e) The winning candidate will be that candidate that earns the most returned votes from their region. Winners will be announced at the Annual General Meeting.

NORTH AMERICAN FLYBALL ASSOCIATION, INC.

BYLAWS

These Bylaws govern the affairs of the North American Flyball Association, a nonprofit corporation organized under the Michigan Non-Profit Corporation (the "Act").

ARTICLE I

OFFICES

The principal office of the Corporation shall be located at 1400 W. Devon Avenue, Box 512, Chicago, Illinois 60660, or such other place as the Board of Directors may determine. The Corporation may have such other offices, either within the State of Illinois or elsewhere, as the Board of Directors may determine or the business of the Corporation may require. The Board of Directors may change the location of any office of the Corporation.

ARTICLE II

PURPOSE

The purpose for which NAFA was formed is to promulgate rules for amateur Flyball competition, to train and approve judges, to sanction amateur Flyball tournaments, to promote interest in the sport of Flyball, to encourage national and international amateur Flyball competition and to confer titles of excellence. This is a nonprofit, qualified amateur sports organization.

ARTICLE III

MEMBERSHIP

The Corporation will have no members. All dogs racing in NAFA-sanctioned Flyball competition must be assigned a Competition Racing Number (CRN) and pay such fee as shall be established by the Board of Directors from time to time. The CRN shall be good for the life of the dog and shall be non-transferable to another dog.

ARTICLE IV

BOARD OF DIRECTORS

Section 1. Powers. The business of the Corporation shall be managed by and under the direction of the Board of Directors, which may exercise all powers of the Corporation and do all such lawful acts and things not prohibited by statute or by the Articles of Incorporation or these Bylaws. In addition to the authority conferred by other provisions of the Bylaws, the Board of Directors by majority vote may promulgate such rules, regulations and orders as they deem appropriate to carry out the provisions of the Bylaws or any other laws applicable to the activities of the Corporation.

Section 2. Number. The number of voting members of the Board of Directors shall consist of no less than nine (9) nor more than fifteen (15), unless pursuant to the

Michigan Nonprofit Corporation Act and in accordance with these Bylaws such number is increased by amendment to these Bylaws. In no event, however, shall the number of Directors be less than three and no decrease in the number of Directors shall have the effect of shortening the term of any incumbent Director.

Section 3. Eligibility. Directors shall meet the following eligibility requirements: (i) be an individual who subscribes to the purposes and goals of the Corporation, (ii) receive no compensation or honoraria from the Corporation for their Board duties except reimbursement for reasonable expenses as set forth in corporate policies and procedures, (iii) not related to nor living with another director, and (iv) shall be in good standing with the corporation. Good standing shall be defined as current in all financial obligations to the corporation and not currently under any disciplinary action (probation, suspension, etc.). There will be permitted no more than one (1) Board member from any NAFA recognized Flyball club.

Section 4. Election of Directors. Unless expressly provided otherwise in these Bylaws, Directors and the Executive Director shall be elected for a three-year term. The Nominating Committee shall distribute a slate of candidates for Directors and Executive Director at least 60 days prior to the Annual Meeting pursuant to Section 7 herein. The slate of officers shall appear in the newsletter or be mailed to the registered clubs' delegates separately. The candidate(s) for each office receiving the most eligible votes shall be deemed elected. Ballots will be counted at the Annual meeting by the Election Committee, or by a professional attorney or accountant retained to conduct tabulation of the ballots.

Section 5. Term of Office. Unless elected to fill a vacancy, each Director shall be elected to a three-year term to commence at the conclusion of the Annual Meeting of the Board of Directors at which their election is confirmed. Terms of office shall be staggered so that approximately one third (1/3) of the board members' terms will expire each year. No member of the Board of Directors may serve for more than two full consecutive terms of office. Newly elected Directors shall commence their term of office at the conclusion of the Board meeting in which they are elected or confirmed, and terms will expire at the end of the Annual Meeting in the third year of the term.

Section 6. Vacancies. Vacancies occurring as a result of the resignation, death or removal of a Director, or the expansion of the size of the Board, may be filled by interim appointment by the Chairperson and ratified by the Board. Any Director who is appointed to fill a vacancy in mid-term shall serve the remaining term of office for the directorship so filled. Any Director who fills a vacated position and serves for two years or greater, shall be considered to have served a full term for purposes of election eligibility.

Section 7. Annual Meeting. An annual meeting shall be held within ninety (90) days prior to or subsequent to the end of the fiscal year, or on such other date or at such time or place as shall be determined by the Board of Directors, and designated in a written notice of the meeting all Board Members and delegates at least thirty (30) days in advance of such meeting. The Executive Director shall preside over the Annual Meeting. In his or her absence, the Chairperson shall preside.

Section 8. Regular Meetings. The Chairperson of the Board may designate a time and specific location for regular meetings of the Board of Directors and deliver a notice to all Board members at least 30 days in advance of such meeting. The Chairperson shall preside over all Regular Meetings of the Board of Directors.

Section 9. Special Meetings. Special meetings of the Board of Directors may be called by the Chairperson of the Board, any two officers, or any three Directors. Such meeting shall be held on such date and at such time and place as shall be designated in the notice of the meeting by the person or persons calling the meeting. Notice of any special meeting shall be given at least 24 hours previous thereto if given either personally (including written notice delivered personally or telephone notice) or by telex, telecopy, telegram or other means of immediate communication, or by written notice mailed or delivered in accordance with Section 11. The Chairperson shall preside over all Special Meetings of the Board of Directors.

Section 10. Attendance. Subject to Section 13, meetings of the Board of Directors shall be open unless otherwise provided by Robert's Rules of Order.

Section 11. Notice: Waiver of Notice. Whenever any notice is required to be given under provisions of the Articles of Incorporation or these Bylaws, unless otherwise specified in these Bylaws, such notice shall be deemed given at the time when the same is personally delivered in writing, but notice shall also be deemed given seven days after it is deposited in registered mail with appropriate postage thereon prepaid, or delivered to a common carrier for overnight or next business day delivery. A waiver of notice in writing, signed by the person or persons entitled to such notice and filed with the records of the meeting, whether before or after the holding thereof, shall be equivalent to the giving of such notice. Presence at any meeting without objection also shall constitute waiver of any required notice. Neither the business to be transacted at, nor the purpose of, any regular meeting of the Board of Directors need be specified in the notice or waiver of notice of such meeting. In the case of special meetings, however, the purpose or purposes of the meeting shall be described in the notice.

Section 12. Quorum and Vote at Meetings. At any meeting of the Board of Directors, a majority of the Directors in office shall be necessary to constitute a quorum for the transaction of business. A majority of the votes cast at a meeting of the Board of Directors, duly called and at which a quorum is present, shall be sufficient to take and authorize action upon any matter which may properly come before the meeting, unless the concurrence of a greater proportion is required for such action by statute, the Articles of Incorporation or these Bylaws. If, at any meeting of the Board of Directors, there shall be less than a quorum present, a majority of those present may adjourn the meeting without further notice, until a quorum shall be present. Subsequently, at any adjourned meeting at which a quorum shall become present, any business may then be transacted at the meeting as originally notified.

Section 13. Voting. Unless otherwise restricted by law, the Articles of Incorporation or the Bylaws, any Director of the Corporation may vote in person or by proxy executed in writing by the Director. At all meetings of the Board of Directors where a quorum is present, all issues shall be resolved by a majority vote of the

Directors present in person or represented by proxy, unless otherwise required by law, the Articles of Incorporation or the Bylaws.

Section 14. Executive Session. The Board of Directors may adjourn to executive session at any time it feels at its discretion that it is necessary or appropriate for the benefit of the organization. At the direction of the Chairperson of the Board, or upon the request of any two Directors, a matter shall be discussed in executive session. Executive session shall be restricted to members of the Board of Directors, the Executive Director and any other such persons invited by the Chairperson.

Section 15. Telephone Meetings. Members of the Board of Directors or any committee designated by the Board may participate in a meeting of such Board or committee by means of conference telephone or similar communications equipment by means of which all persons participating in the meeting can hear each other. Participation in a meeting pursuant to this Section shall constitute presence in person at such meetings and a waiver of notice of the meeting.

Section 16. Action by Unanimous Consent. Any action required or permitted to be taken at any meeting of the Board of Directors or of any committee thereof may be taken without a meeting if a written consent, setting forth the action so taken, is signed by all the members of the Board of Directors or the committee, as the case may be, and such written consent shall have the same force and effect as a unanimous vote at a meeting of the Board of Directors or the committee.

Section 17. Resignation and Removal of Directors. Any director may resign at any time. Such resignation shall be made in writing and shall take effect at the time specified therein or, if no time is specified, at the time of its receipt by the Chairperson or Secretary. Directors may be removed for two or more unexcused absences from meeting during a term. Directors may be removed at any meeting of the Board of Directors duly called and at which a quorum is present, by the affirmative vote of two-thirds of the Directors then in office.

Section 18. Compensation and Reimbursement. No member of the Board of Directors shall receive compensation for their Board duties except reimbursement for reasonable expenses by the Board as set forth by corporate policies and procedures.

Section 19. Minutes. The Board of Directors shall keep minutes of all meetings of the Board of Directors and the proceedings thereof. The Board of Directors shall take appropriate action to cause the approved minutes of such meetings to be delivered upon receipt of written request for such minutes to the Secretary.

Section 20. Conduct of Meetings. Meetings will be run according to *Robert's Rules of Order*. If the meeting is being tape recorded, speakers shall state their names before addressing the Chairperson. There shall be a policy of no smoking during all meetings.

ARTICLE V

COMMITTEES OF DIRECTORS

Section 1. Committees. In addition to the standing committees designated in this article (the "Standing Committees"), the Board of Directors may, by resolution, designate one or more committees of the Board, each to consist of three or more Directors. To the extent provided in a resolution or action of the Board of Directors, the committees so appointed may exercise the power and authority of the Board of Directors, but the designations of such committees and the delegation thereto of authority shall be limited to that authority contained in the resolution or action of the Board and shall not operate to relieve the Board of Directors, or any member thereof, of any powers or responsibilities imposed by law or these Bylaws. No committee of the Board of Directors shall have the power to amend the Articles of Incorporation or the Bylaws of the Corporation. A majority of the members of each committee shall be Directors, but nondirectors may be appointed to committee membership. The Chairman shall appoint the committees with approval of the Board of Directors. Except as otherwise provided by statute or these Bylaws, the Standing Committees shall have the powers and authority designated in this Article IV; provided that, the Board of Directors, by the affirmative vote of two-thirds of the Directors then in office, may expand or restrict the powers and authority of any Standing Committee whether granted in these Bylaws or by previous action of the Board of Directors.

Section 2. Standing Committees. Each member of the Board of Directors shall serve in some capacity on a standing committee. The Standing Committees of the Board of Directors shall be as follows:

(a) Executive Committee. - The Executive Committee shall consist of the Chairperson of the Board, Vice Chairperson, Secretary, Treasurer and Executive Director. The Executive Committee shall have and may exercise any and all power and authority of the Board of Directors in the management of the business affairs of the Corporation when the Board is not in session, except over matters specifically retained by the Board in these bylaws.

(b) Finance Committee. - The Finance Committee shall consist of the Vice Chairperson, the Treasurer and other appointees. The Chairperson of the Committee shall be the Vice Chairperson of the Corporation. The Finance Committee shall have the power and authority to seek all possible funding sources for the Corporation, review and approve the engagement of the independent auditors for audit and non-audit services; to review with independent auditors the fee, scope and timing of the audit and non-audit services; to review with the independent auditors, upon completion of the annual audit, significant accounting adjustments, recommendations for improving internal controls and all other significant findings made during the audit; to meet periodically with the Corporation's management and auditors to discuss internal accounting and financial controls; to review and make recommendations on all contracts to which the Corporation is a party that involve a material adverse risk to the Corporation; to initiate and supervise any special investigation it deems necessary; to consult with the Corporation's management regarding, and to periodically review, the

financial condition of the Corporation; and compile the annual budget of the Corporation for approval by the Board.

(c) Nominating Committee. - The Nominating Committee shall consist of no voting board members and no candidates for office or members of their immediate households. The Chairperson of the Board shall appoint the Nominating Committee and its chairperson from the current voting delegates. The Nominating Committee shall have the power, authority and duty to notify the delegates of the organization, as appropriate, of the ability to submit nominations to fill Director positions; to provide a slate to fill vacating Director positions to the Board at least 60 days prior to the Annual Meeting; to provide a slate of officers to the Board of Directors prior to the Annual Meeting; and to provide to the Board of Directors recommendations of names of people qualified to fill untimely vacancies on the Board of Directors.

(d) Bylaws Committee. - The Secretary and other appointees will serve on the Bylaws Committee. The Bylaws Committee will serve as a conduit for and generate proposed changes to these Bylaws. Changes to the Bylaws must be approved by the board of Directors pursuant to Article VIII herein.

(e) Regulatory Committee. - The Regulatory Committee is charged with the upkeep, improvement and interpretation of the rules and regulations of the sport of flyball. At least one Supervising Head Judge shall serve on the Regulatory Committee. Any changes to the rules and regulations must be approved by the Board of Directors. Following approval by the Board of Directors, any matter deemed in the discretion of the Board of Directors to effect the Rules of Racing shall be submitted to the delegates by ballot for voting under such terms and conditions as the Board of Directors may from time to time prescribe.

(f) Education and Training Committee. - The Education and Training Committee shall develop and maintain a program for the training of judges and other individuals seeking information about the sport. This Committee shall oversee the planning of NAFA sponsored educational seminars and workshops for the purpose of advancing the sport in areas where information is needed. This committee shall also oversee the development of new NAFA approved judges and recommend their approval as Approved.

(g) Marketing and Development Committee. - The Marketing and Development Committee is charged with responsibility for publicity, promotion, advertising, opportunity development, public relations and developing all promotional materials.

(h) Election Committee – The Election Committee shall consist of at least three persons of which at least two shall be persons in good standing, holding no office within the corporation and only one shall be a current Board member not up for election. The Election Committee shall be appointed by the first Board member of the Corporation not up for election from Chairman, Vice-Chairman, Secretary, Treasurer, followed by other board members by tenure. The Election Committee shall receive completed ballots at or before the beginning of the Annual General Meeting and shall be responsible for tallying the results and reporting the results to the presiding officer of the

Meeting. The Election Committee shall ensure that all returned ballots are authentic and shall destroy the ballots, after reporting the results, at the adjournment of the Annual General Meeting.

(i) Disciplinary Committee – The Disciplinary Committee shall consist of at least three members and shall consist solely of Board members. The committee will consider all charges brought forward to the Board, gather information and consult all parties in the dispute and investigate the charges. The Committee will make a formal recommendation to the Board on actions for this dispute as well as recommendations to the ED regarding any immediate action required

Section 3. Tenure. Subject to the provisions of Section 7 and 8 of this Article, each member of any Standing Committee or any other committee shall hold office until his successor is designated by the Board of Directors. The Chairperson of the Board shall appoint the chairpersons of each committee, unless otherwise specified in these Bylaws.

Section 4. Meeting and Notices. Regular meetings of committees of the Board of Directors may be held without notice at such times and places as such committees may determine by resolution or by written notice from the Chairperson of the Board or the Chairperson of the committee at least seven days in advance of the meeting. Special meetings of committees may be called by any member thereof upon not less than 24 hours advance notice to each member of that committee stating the place, date and hour of the meeting, which notice shall be given in accordance with Section 12 of Article III hereof. Any member of a committee may waive notice of any meeting thereof, either before or after the meeting, by signing a waiver of notice that shall be filed with the records of such meeting, or by attendance at such meetings.

Section 5. Quorum. A majority of the members of a committee shall constitute a quorum for the transaction of business at any meeting thereof. The vote of a majority of the members of a committee present at a meeting at which a quorum is present shall constitute action of the committee.

Section 6. Action By Unanimous Consent and Telephone Meetings. Sections 15 and 16 of Article IV are hereby incorporated by reference into this Article V, and their provisions shall apply to all committees and members of the committees to the same extent that they apply to the Board of Directors and all Directors.

Section 7. Removal and Resignations. Any member of any committee may be removed at any time by resolution adopted by a majority of the Directors then in office. Any member of a committee may resign from the committee at any time by giving written notice to the Chairperson of the Board of Directors or the Secretary of the Corporation. Unless otherwise specified therein, such resignation shall take effect upon receipt thereof.

Section 8. Vacancies. Any vacancy occurring on any of the committees of the Directors shall be filled by appointment of the Chairperson of the Board and ratified by the Board of Directors.

Section 9. Minutes. All Standing Committees and committees established by the Board of Directors shall keep regular minutes of their proceedings, whether meetings are in person or by telephone, and the chairperson of each committee shall report any actions taken to the Board of Directors at the next meeting thereof held after the committee meeting. The minutes of the committee meetings shall be distributed to all members of the Board of Directors as soon as practicable after the committee meeting. The secretary of the Corporation shall include the minutes in the permanent record of the corporation.

ARTICLE VI

OFFICERS

Section 1. Positions. The officers of the Corporation shall be the Chairperson of the Board, the Executive Director, the Vice-Chairperson, the Secretary and the Treasurer, who shall exercise such powers and perform such duties as shall be determined in accordance with these Bylaws or by the Board. No person shall hold more than one office of the Corporation. The Chairperson, Vice-Chairperson, Secretary and Treasurer shall be elected from among the members of the Board of Directors. Newly elected officers shall commence their term of office at the conclusion of the Board meeting in which they are elected.

Section 2. Election and Term of Office. Each officer of the corporation shall be elected annually by the Board of Directors and shall serve for one year or until his successor shall have been duly elected and qualified, or until his death, resignation or removal from office in accordance with these Bylaws.

Section 3. Chairperson of the Board. The Chairperson of the Board shall preside at and set the agenda for meetings of the Board of Directors, shall act as the chief executive officer of the Corporation, shall appoint Committee Chairpersons and members and Special Project Leaders as needed, and shall exercise and perform such other powers and duties as may be assigned by the Board of Directors or by the Bylaws. The Chairperson is an ad-hoc member of all standing and special committees. The Chairperson shall carry into effect all orders and resolutions of the Board subject to the right of the Board by resolution to delegate any specific powers to any other officer, director or agent of the Corporation. The Chairperson shall, on behalf of the Corporation, as authorized by the Board, execute all deeds, notes, bonds, mortgages, contracts and other instruments in writing. The Chairperson of the Board shall be elected by an affirmative vote of a majority of the members of the Board.

Section 4. Executive Director. The Executive Director shall report to the Board of Directors. The Executive Director shall be the chief operating officer of the Corporation, and shall, subject to the direction of the Board of Directors, generally supervise, direct and control the business of the Corporation and shall have the responsibility for the day-to-day management of the business and affairs of the Corporation. The Executive Director shall attend meetings of the Board of Directors and shall make periodic reports to the Board of Directors. The Executive Director shall appoint Regional Directors and other staff as necessary for the day to day operation of the corporation. The Executive Director shall preside over the annual meeting.

The Executive Director shall not vote. The Executive Director has the power of veto over any action approved by vote of the Board of Directors. The veto may be repealed by a three-quarters (3/4) vote of the Board members present or a three quarters (3/4) vote of delegates voting in a general referendum as determined by the corporate policies and procedures.

The Executive Director shall implement decisions of the Board of Directors and shall act, subject to the Board's authority and guidance, to enforce NAFA policy, rules and regulations. The Executive Director may sanction individuals or Clubs for infraction of NAFA policies, rules or regulations subject to ratification by the Board of Directors at its next meeting. The Executive Director may, subject to the Board's approval, delegate portions of these responsibilities to qualified individuals within NAFA for the purposes of enforcing NAFA policies, rules and regulations. The Executive Director may, from time to time, require special projects to be led or staffed. At the Executive Director's request, the Chairperson will appoint Special Project Leaders, teams and/or committee members.

Section 5. Vice-Chairperson. The Vice-Chairperson shall preside over meetings in the absence of the Chairperson and shall have such duties as may be given by the Board of Directors from time to time. The Vice-Chairperson shall be elected by an affirmative vote of a majority of the members of the Board. The Vice Chairperson shall serve as the Chairperson of the Finance Committee.

Section 6. Secretary. The Secretary or, in the event of the Secretary's inability or refusal to act, a duly appointed Assistant Secretary shall attend all meetings of the Board of Directors, and shall record, or cause to be recorded, all the proceedings of the meetings of the Board of Directors in a book to be kept for that purpose, and shall archive minutes provided by the Standing Committees. The Secretary shall give, or cause to be given, notice of all special meetings of the Board of Directors, and shall perform such other duties as may be prescribed by the Board of Directors or the Executive Director. The Secretary shall maintain a current list of the Board of Directors detailing when each director's term expires. The Secretary shall have custody of the corporate seal of the Corporation, and the Secretary, or an Assistant Secretary, shall have authority to affix the same to any instrument requiring it, and when so affixed it may be attested by the signature of the Secretary or by the signature of the Assistant Secretary. The Board of Directors may give general authority to any other officer to affix the seal of the Corporation and to attest the affixing by such officer's signature. The Secretary or an Assistant Secretary may also attest all instruments signed by the officers of the Corporation. The Secretary shall serve on the Bylaws Committee. The Secretary shall be elected by an affirmative vote of a majority of the members of the Board.

Section 7. Treasurer. The Treasurer shall have general oversight responsibility for the financial affairs of the Corporation. The Treasurer shall have custody of the corporate funds and securities of the Corporation, and shall keep a full and accurate accounting of the receipts and disbursements and books belonging to the Corporation. The Treasurer shall deposit all monies and all other valuable assets delivered to him/her to the credit of the Corporation in such depositories as may be designated by the

Finance Committee. The Treasurer shall render to the Board of Directors at the Board's regular meetings, or when the Board of Directors so requires, but not less than quarterly, an account of the financial condition of the Corporation. The Treasurer will cause the outside accounting of the Corporation's financial records with said auditor selected by the Finance Committee. The Treasurer shall perform such other duties and have such other powers as the Board of Directors may prescribe.

Section 8. Bond. The corporation shall bond the Treasurer in such sum and with such surety as shall be satisfactory to the Board of Directors for the faithful performance of the duties of the Treasurer. If required by the Board of Directors, any other officer shall give the Corporation a bond in such sum and with such surety or sureties as shall be satisfactory to the Board of Directors for the faithful performance of the duties of that office and for the restoration to the Corporation, in case of their death, resignation, retirement or removal from office, of all books, papers, vouchers, money and other property of whatever kind, in their possession or under their control and belonging to the Corporation. Payment of the bond shall be by the Corporation.

Section 9. Authority for Expenditures. The Treasurer and the Executive Director shall each have the authority, in his respective sole discretion, pursuant to his signature to approve and direct expenditures in accordance with the direction of the Board, and may make expenditures on behalf of and in the best interest of the Corporation.

Section 10. Indemnification. Unless expressly prohibited by law, the Corporation shall indemnify any person made, or threatened to be made, a party to an action, suit or proceeding (whether civil, criminal, administrative or investigative), whether such is an action by or in the right of the Corporation or otherwise, by reason of the fact that such person is or was a director, officer, employee or agent of the Corporation (including directors, officers and employees of any part of the Corporation's field organization) or serves or served any other enterprise at the request of the Corporation (all of such persons being sometimes referred to in this Article VI as a "Corporate Functionary"), against all expenses (including attorneys' fees), judgments, fines and amounts paid in settlement actually and reasonably incurred by such person in connection with such action, suit or proceeding, provided such person acted in good faith and in a manner he or she reasonably believed to be in or not opposed to the best interests of the Corporation and, with respect to any criminal action or proceeding, had no reasonable cause to believe his or her conduct was unlawful shall be made in relation to matters as to which such person shall have been finally adjudged in such action, suit or proceeding to be liable to the Corporation.

Any indemnification under this Section shall be made by the Corporation only as authorized in the specific case upon a determination that indemnification of the Corporate Functionary is proper in the circumstances because he or she has met the applicable standard of conduct set forth in this Section. Such determination shall be made (i). by the Board of Directors by a majority vote of a quorum of disinterested Directors or (ii) if such a quorum is not obtainable, or, even if obtainable if a quorum of disinterested Directors so directs, by independent legal counsel in a written opinion.

The rights of indemnification provided for in this Section shall be in addition to all rights to which any Corporate Functionary may be entitled under any agreement or as a

matter of law or otherwise, and shall insure to the benefit of the Corporate Functionary's estate, heirs, executors and administrators. If this Section or any portion hereof shall be invalidated on any ground by a court of competent jurisdiction, the Corporation shall nevertheless indemnify each Corporate Functionary to the full extent permitted by any applicable portion of this Section that shall not have been invalidated.

The Corporation may purchase and maintain insurance on behalf of any Corporate Functionary against any liability asserted against him and incurred by him in any such capacity or arising out of his status as such, whether or not the Corporation would have the power to indemnify him against such liability under the provisions of this Section.

ARTICLE VII

AFFILIATE CLUBS

Section 1. Local Organizations. There shall be local organizations within the Corporation, which shall consist of Affiliate Clubs abiding by the policies and procedures of the Corporation approved by the Board of Directors. Affiliate Clubs must register with the corporation and pay such fee as shall be established by the Board of Directors from time to time. An Affiliate Club may field any number of teams it desires. Such teams are not required to be individually registered with NAFA. Each affiliate club must register with NAFA a single individual or corporation as the sole authority to correspond with NAFA on their behalf.

Section 2. Delegates. From time to time the Board of directors may submit rule changes to delegates for consideration. Affiliate Clubs will be given a number of delegate votes based on the number of tournaments each club competed in and/or hosted during a fiscal year. Affiliate Clubs must compete in at least one event during the racing year to qualify for Delegate Votes. Delegates will be calculated for a club based on competition in or hosting tournaments on the following schedule: 1 delegate for 4-5 team entries; 2 delegates for 6-11 team entries; 3 delegates for 12-17 team entries; 4 delegates for 18-23 team entries; 5 delegates for 24-29 team entries; and 6 delegates for 30 team entries or more. One delegate per club will be awarded for hosting each tournament. No Club shall earn more than 8 delegate votes in total by team entries or tournament hosting. The Board of Directors may designate delegates with special interest in flyball (i.e. judges). Each Board member will individually receive a delegate vote over and above any delegate votes earned by their Club. Each Regional Director will individually receive a delegate vote over and above any delegate votes earned by their Club. Clubs will be notified of the number of delegates earned during the preceding fiscal year.

ARTICLE VIII

GENERAL PROVISIONS

Section 1. Seal. The Board of Directors shall adopt a seal for the Corporation.

Section 2. Fiscal Year. The fiscal year of the Corporation shall commence on October 1 and end on September 30 of each year.

Section 3. Legal Construction. If any Bylaw provision is held to be invalid, illegal or unenforceable in any respect, the invalidity, illegality or unenforceability shall not affect any other provision and the Bylaws shall be construed as if the invalid, illegal or unenforceable provision had not been included in the Bylaws.

ARTICLE IX

AMENDMENTS TO BYLAWS

These Bylaws may be altered, changed, added to or amended at any regular or special meeting of the Board of Directors. Said alterations, changes, additions or amendments shall be passed upon by the vote of two-thirds (2/3) of the Board of Directors present and eligible to vote at said meeting.

The foregoing constitutes the Bylaws of the Corporation as read and presented to the Board of Directors and enacted by two-thirds (2/3) vote of the Directors of the Board entitled to vote on the ____ day of _____, 20__.

Secretary, North American
Flyball Association

NORTH AMERICAN FLYBALL ASSOCIATION, INC.

APPENDIX A

Schedule of Fees

Competition Racing Numbers (CRN) - \$15.00 US.

New NAFA Club Registration - \$25.00 US.

Height Card Applications - \$5.00 US or \$7.00 Canadian.

Duplicate Height Cards (due to loss) \$5.00 US or \$7.00 Canadian.

Replacement Award Pins (due to loss) \$5.00 US or \$7.00 Canadian.

NAFA Approved Patches \$5.00 US or \$7.00 Canadian.

Recording Fee - \$20.00 US per team that competes in a NAFA sanctioned tournament (payable by the Host Club).

NAFA Tournament Results and Fees that arrive to NAFA after 14 days have the following penalties:

15 plus days late, a fee of \$50.00 will be charged.

One calendar month plus, a \$100.00 late fee will be charged.

Disciplinary action will be taken for results received any later than two calendar months late (See Corporate Policies & Procedures Section 5.1.m).

Prefer Charges for conduct prejudicial to the sport of Flyball - \$25.00 US (refundable if charges are sustained).

Checks returned for Non-Sufficient Funds - \$25.00 US. If a check received for a CRN bounces, the team will not receive points because the dog does not have a valid CRN.

Copy of timesheet - \$2.00 US per timesheet.

Failure to ship out NAFA EJS:

Failure to ship out NAFA EJS the next available day after the tournament - \$100. US

Failure to ship out NAFA EJS the next available day after the tournament and failure to do so affects the next tournament - \$250. US

NORTH AMERICAN FLYBALL ASSOCIATION, INC.

APPENDIX B

Racing Schedules

3 TEAM ROUND ROBIN

RACE 1	3	vs	1
RACE 2	2	vs	3
RACE 3	1	vs	2

ALLOW 30 MINUTES FOR RACES**4 TEAM ROUND ROBIN**

RACE 1	4	vs	1
RACE 2	2	vs	3
RACE 3	1	vs	3
RACE 4	4	vs	2
RACE 5	3	vs	4
RACE 6	1	vs	2

ALLOW 1 HOUR FOR RACES**5 TEAM ROUND ROBIN**

RACE 1	5	vs	2
RACE 2	4	vs	1
RACE 3	3	vs	5
RACE 4	2	vs	4
RACE 5	1	vs	3
RACE 6	4	vs	5
RACE 7	2	vs	3
RACE 8	5	vs	1
RACE 9	3	vs	4
RACE 10	1	vs	2

ALLOW 1 HOUR & 20 MINUTES FOR RACES**6 TEAM ROUND ROBIN**

RACE 1	2	vs	3
RACE 2	6	vs	1
RACE 3	4	vs	5
RACE 4	3	vs	6
RACE 5	4	vs	2
RACE 6	5	vs	1
RACE 7	2	vs	6
RACE 8	1	vs	4
RACE 9	5	vs	3
RACE 10	6	vs	4
RACE 11	2	vs	5
RACE 12	3	vs	1
RACE 13	5	vs	6
RACE 14	4	vs	3
RACE 15	1	vs	2

ALLOW 2 HOURS & 10 MINUTES FOR RACES**7 TEAM ROUND ROBIN**

RACE 1	1	vs	4
RACE 2	2	vs	5
RACE 3	3	vs	6
RACE 4	4	vs	7
RACE 5	5	vs	1
RACE 6	6	vs	2
RACE 7	7	vs	3
RACE 8	1	vs	3
RACE 9	5	vs	7
RACE 10	2	vs	4
RACE 11	6	vs	1
RACE 12	3	vs	5
RACE 13	7	vs	2
RACE 14	4	vs	6
RACE 15	7	vs	1
RACE 16	2	vs	3
RACE 17	4	vs	5
RACE 18	6	vs	7
RACE 19	3	vs	4
RACE 20	5	vs	6
RACE 21	1	vs	2

ALLOW 3 HOURS FOR RACES

8 TEAM ROUND ROBIN

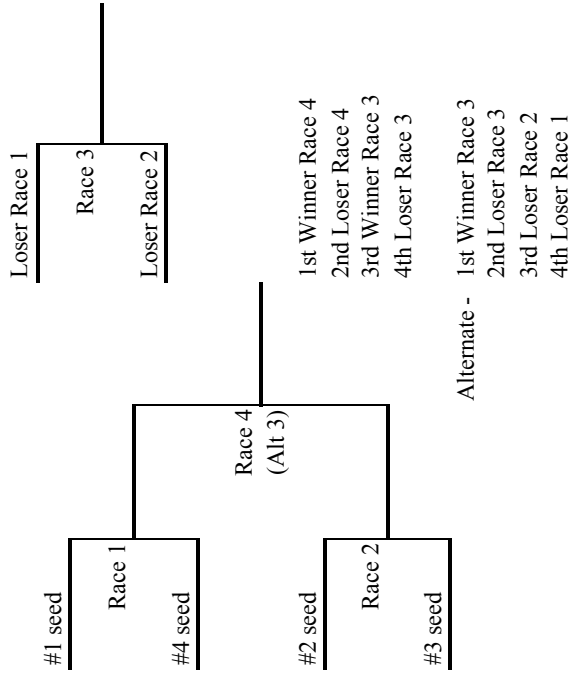
RACE 1	4	vs	8
RACE 2	3	vs	7
RACE 3	2	vs	6
RACE 4	1	vs	5
RACE 5	6	vs	1
RACE 6	8	vs	3
RACE 7	2	vs	5
RACE 8	4	vs	7
RACE 9	3	vs	6
RACE 10	5	vs	8
RACE 11	7	vs	2
RACE 12	1	vs	4
RACE 13	8	vs	2
RACE 14	4	vs	6
RACE 15	7	vs	1
RACE 16	3	vs	5
RACE 17	6	vs	8
RACE 18	2	vs	4
RACE 19	5	vs	7
RACE 20	1	vs	3
RACE 21	8	vs	1
RACE 22	6	vs	7
RACE 23	4	vs	5
RACE 24	2	vs	3

9 TEAM ROUND ROBIN

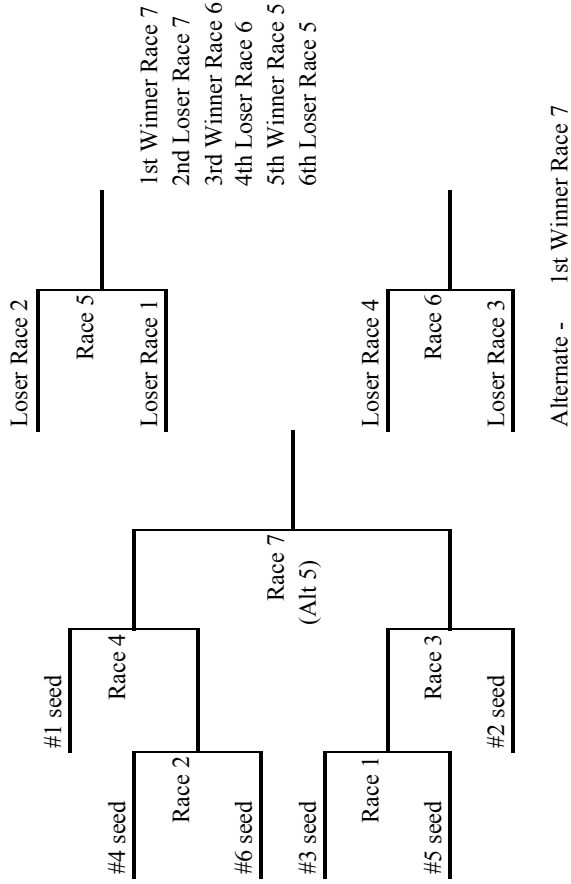
RACE 1	1	vs	9
RACE 2	7	vs	5
RACE 3	8	vs	4
RACE 4	6	vs	3
RACE 5	9	vs	7
RACE 6	2	vs	8
RACE 7	5	vs	3
RACE 8	1	vs	6
RACE 9	4	vs	2
RACE 10	9	vs	5
RACE 11	8	vs	6
RACE 12	1	vs	7
RACE 13	3	vs	2
RACE 14	5	vs	4
RACE 15	1	vs	8
RACE 16	7	vs	6
RACE 17	2	vs	9
RACE 18	4	vs	3
RACE 19	2	vs	7
RACE 20	5	vs	1
RACE 21	3	vs	9
RACE 22	6	vs	4
RACE 23	9	vs	8
RACE 24	7	vs	3
RACE 25	4	vs	1
RACE 26	6	vs	2
RACE 27	8	vs	5
RACE 28	9	vs	6
RACE 29	7	vs	4
RACE 30	5	vs	2
RACE 31	3	vs	1
RACE 32	4	vs	9
RACE 33	8	vs	7
RACE 34	6	vs	5
RACE 35	3	vs	8
RACE 36	2	vs	1

ALLOW 5 HOURS & 10
MINUTES FOR RACES

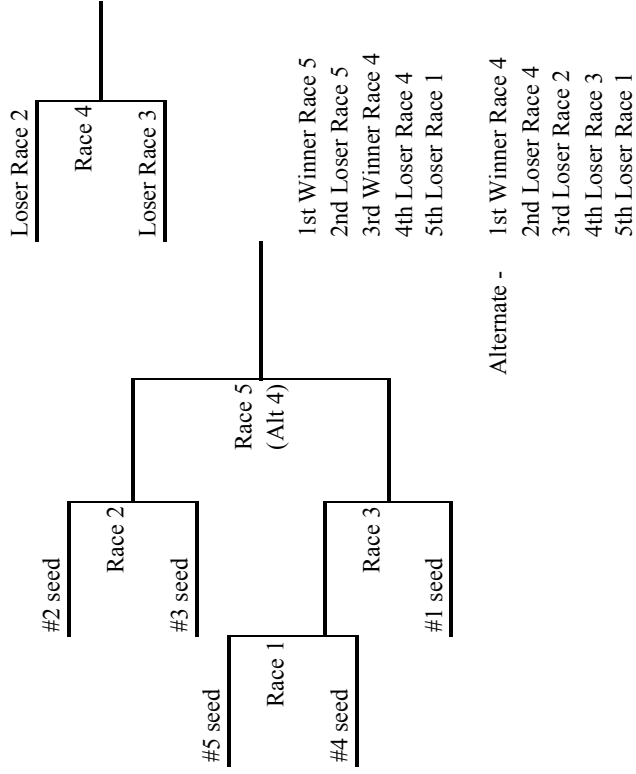
4 Team Single Elimination



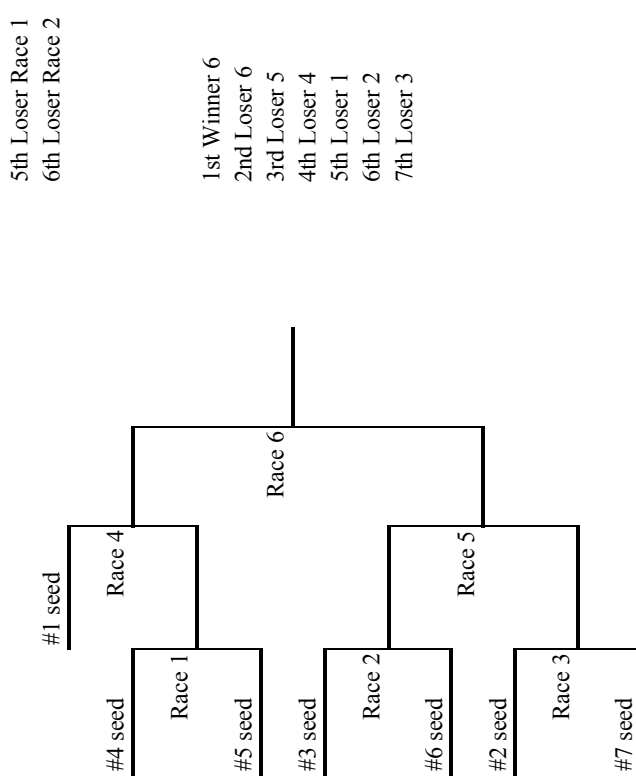
6 Team Single Elimination



5 Team Single Elimination



7 Team Single Elimination



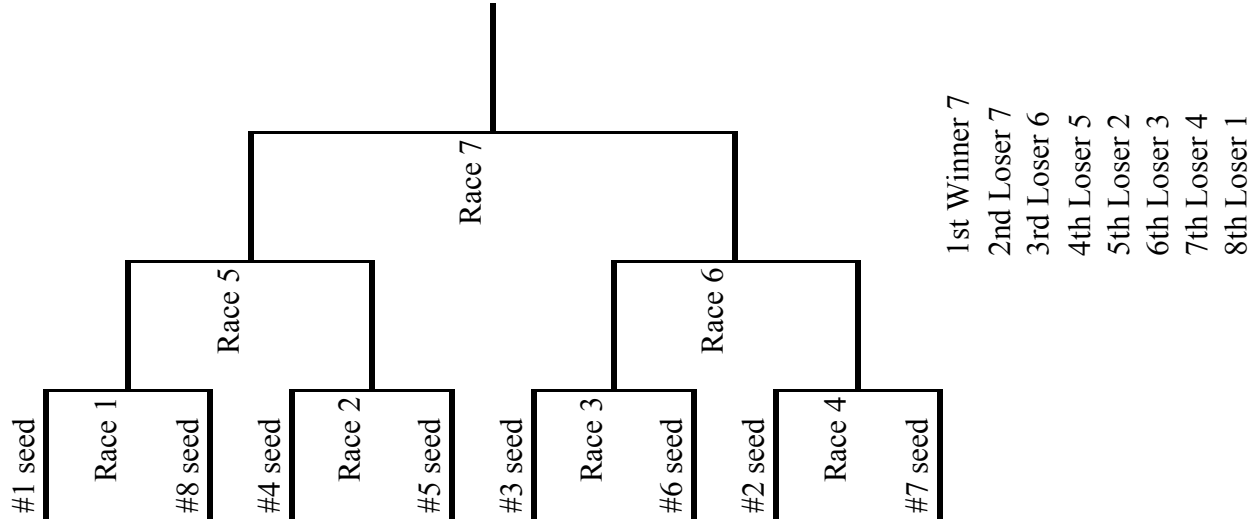
Alternate -

- 1st Winner Race 7
- 2nd Loser Race 5
- 3rd Loser Race 3
- 4th Loser Race 4
- 5th Loser Race 1
- 6th Loser Race 2

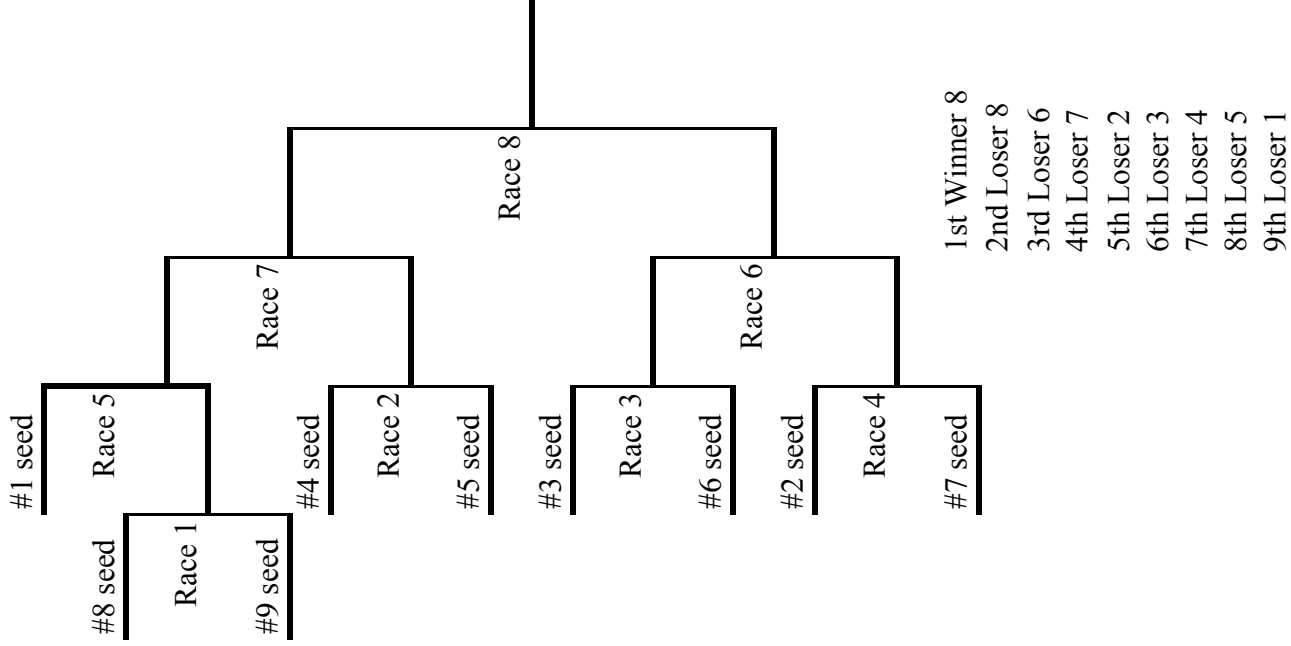
Alternate -

- 1st Winner Race 4
- 2nd Loser Race 4
- 3rd Loser Race 2
- 4th Loser Race 3
- 5th Loser Race 1

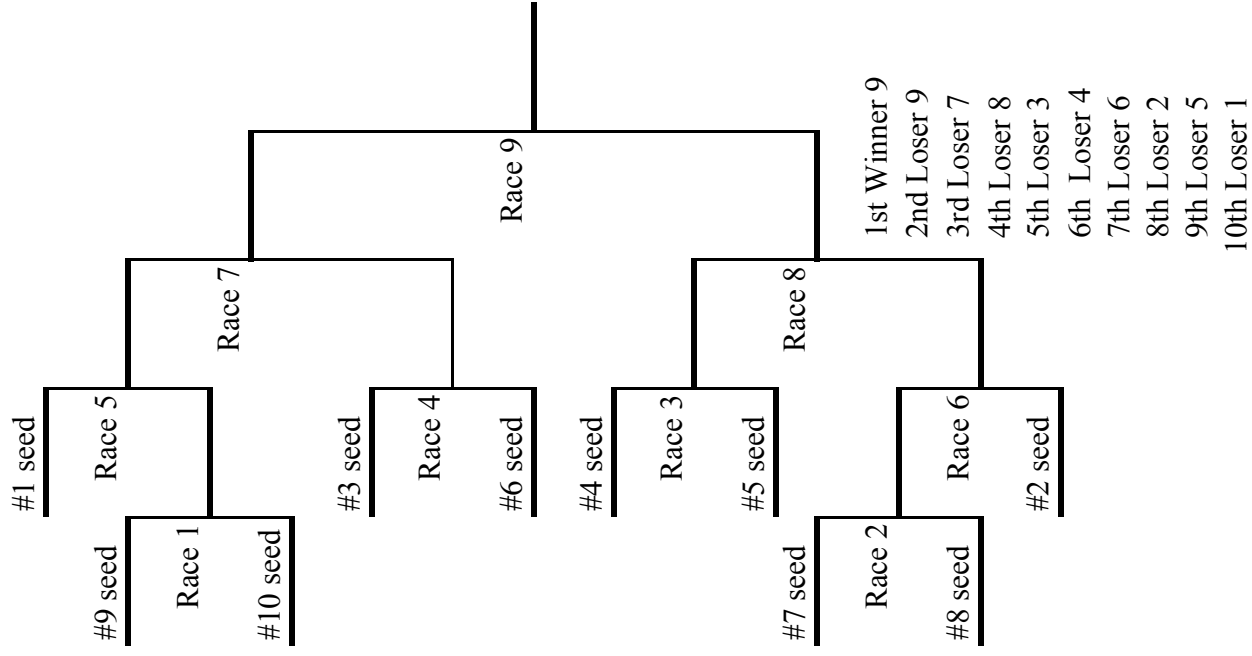
8 Team Single Elimination



9 Team Single Elimination



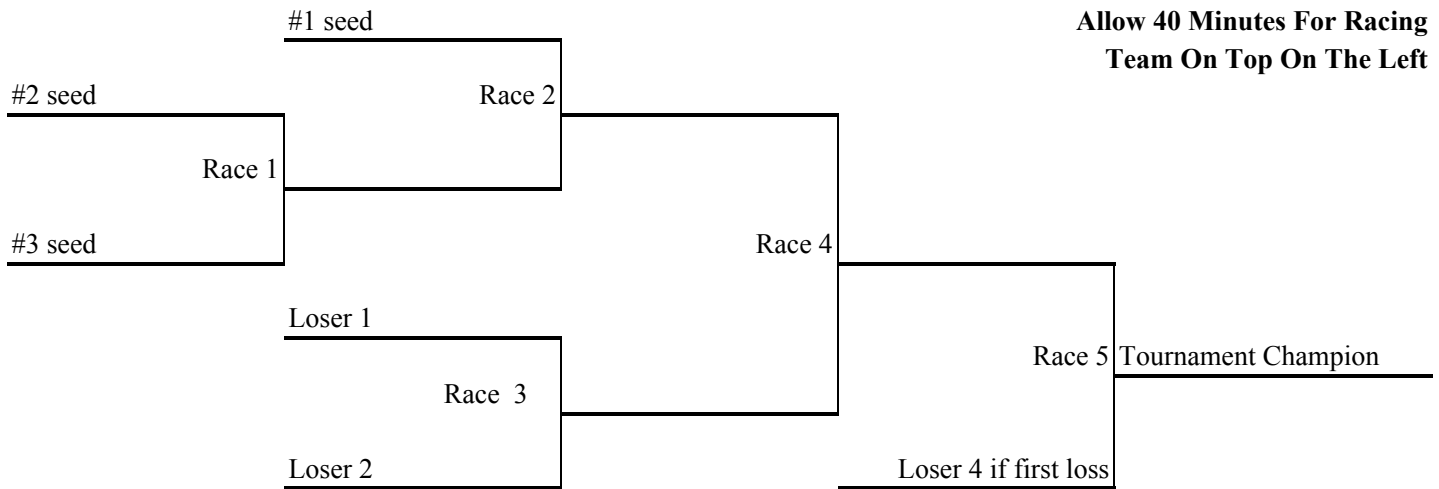
10 Team Single Elimination



3 TEAM DOUBLE ELIMINATION

Allow 40 Minutes For Racing

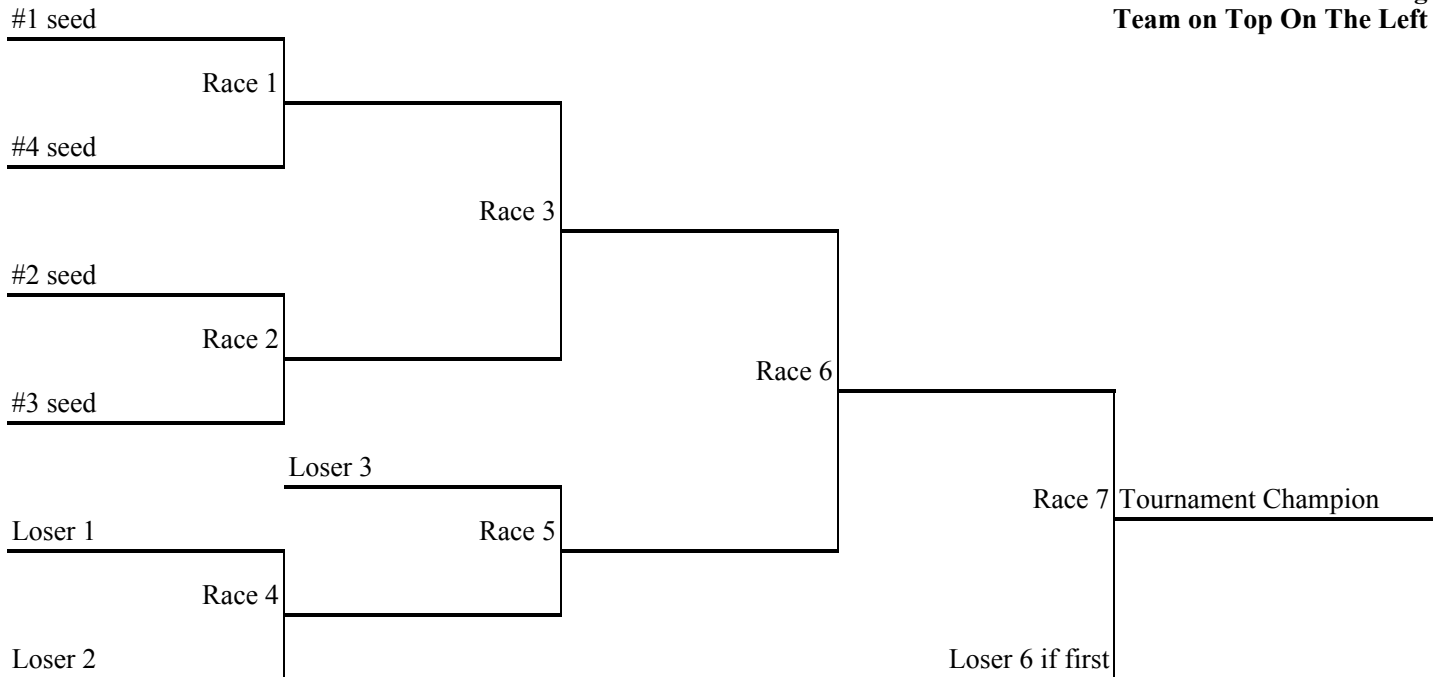
Team On Top On The Left



4 TEAM DOUBLE ELIMINATION

Allow 50 Minutes For Racing

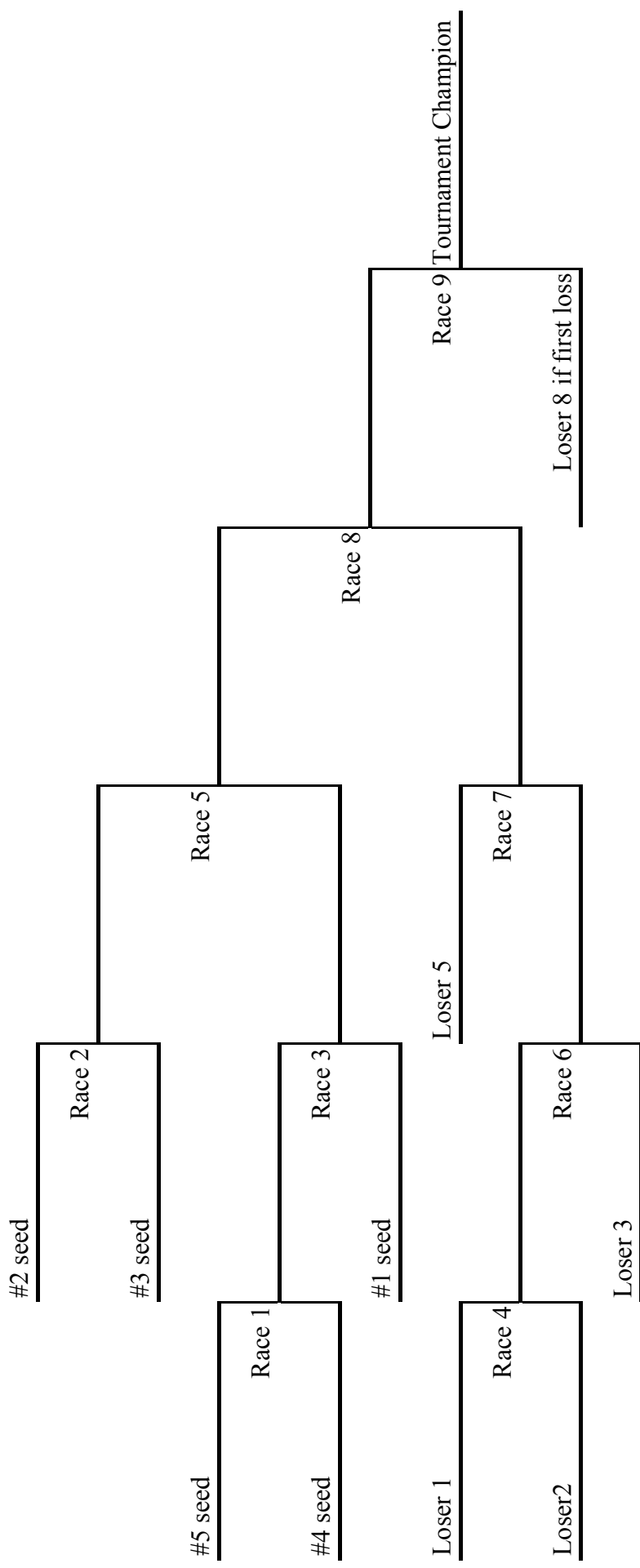
Team on Top On The Left



5 TEAM DOUBLE ELIMINATION

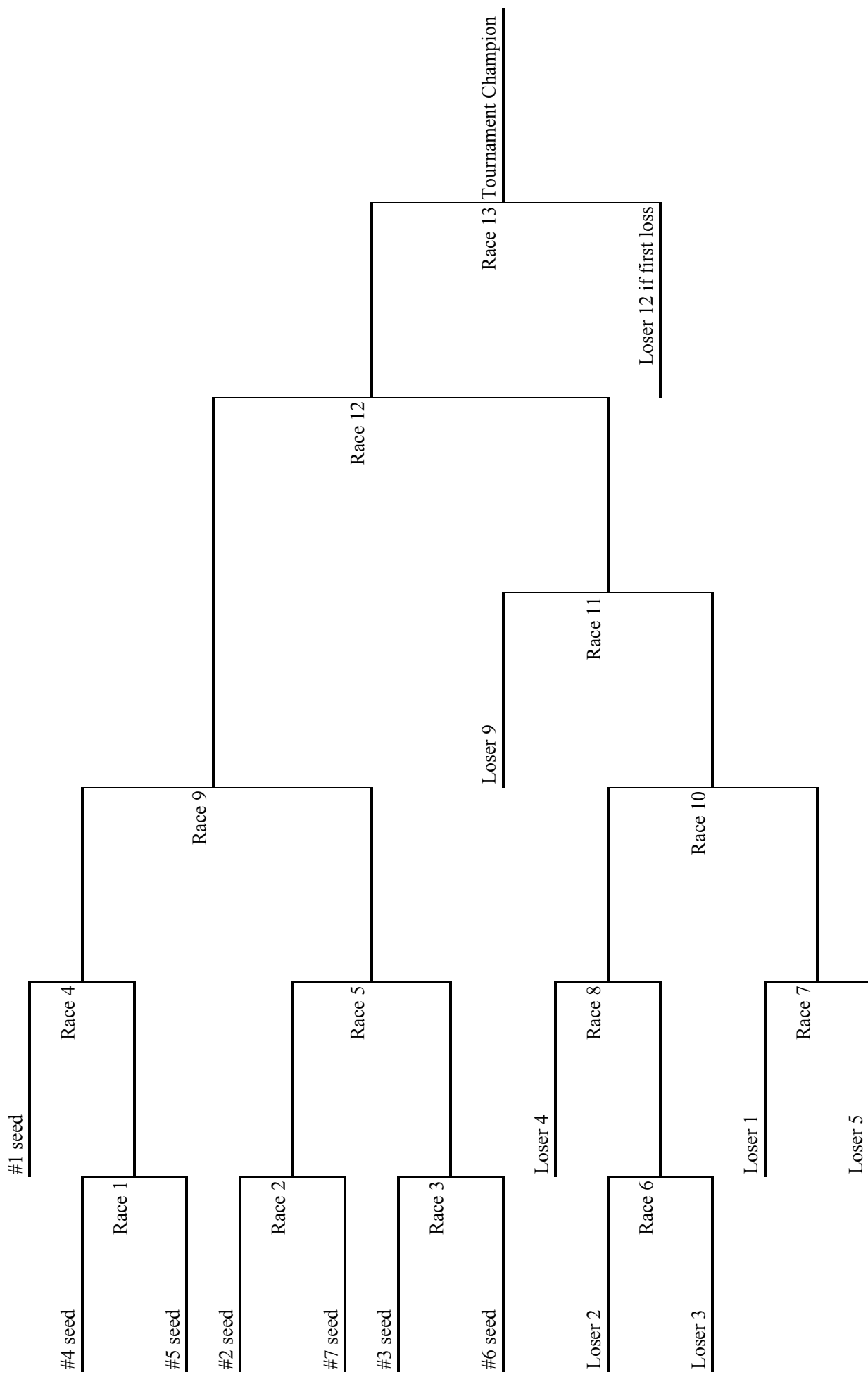
Allow 1 Hour And 10 Minutes

Team On Top On The Left



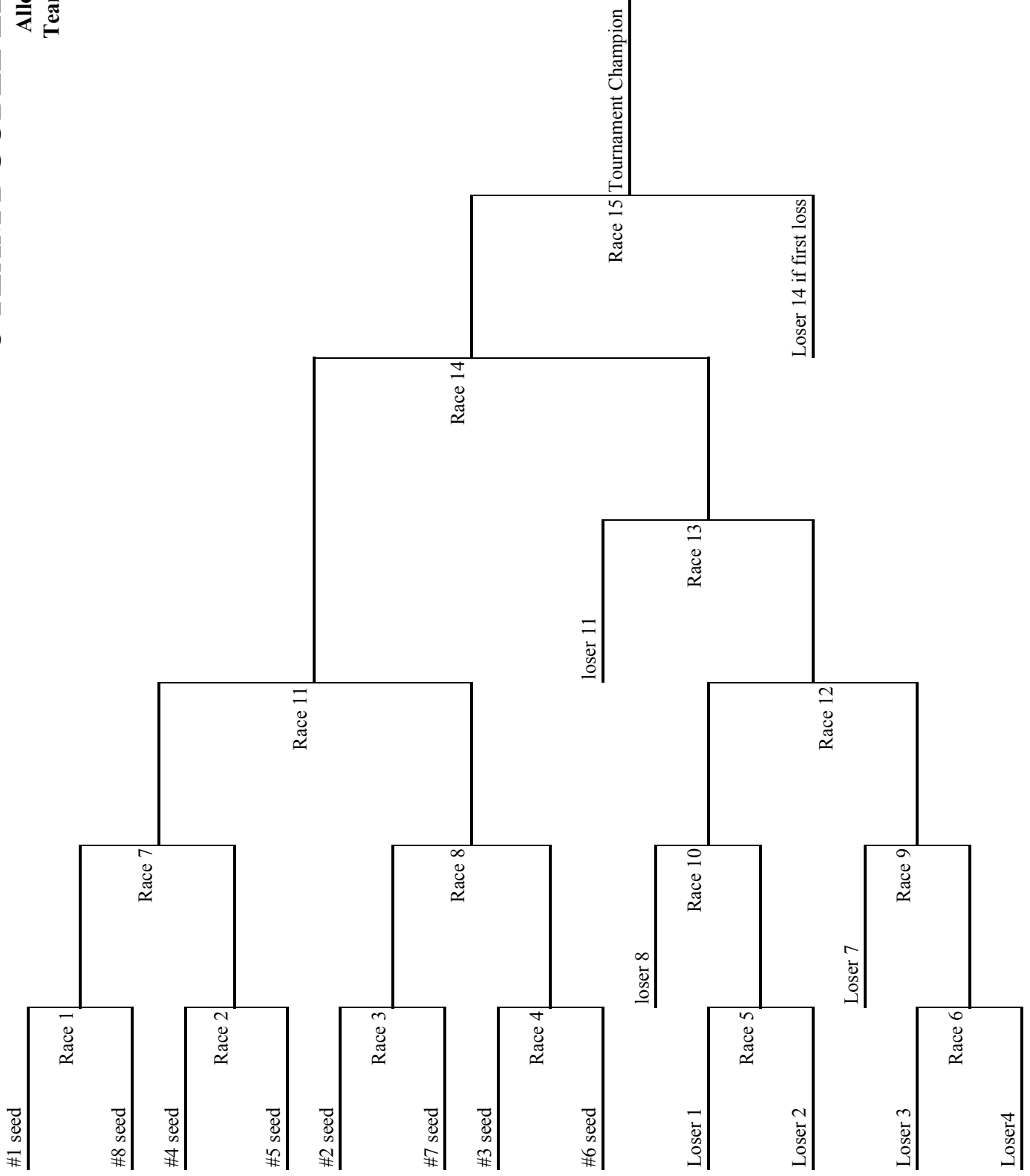
7 TEAM DOUBLE ELIMINATION

Allow 1 Hour And 45 Minutes For Racing
Team On Top On The Left



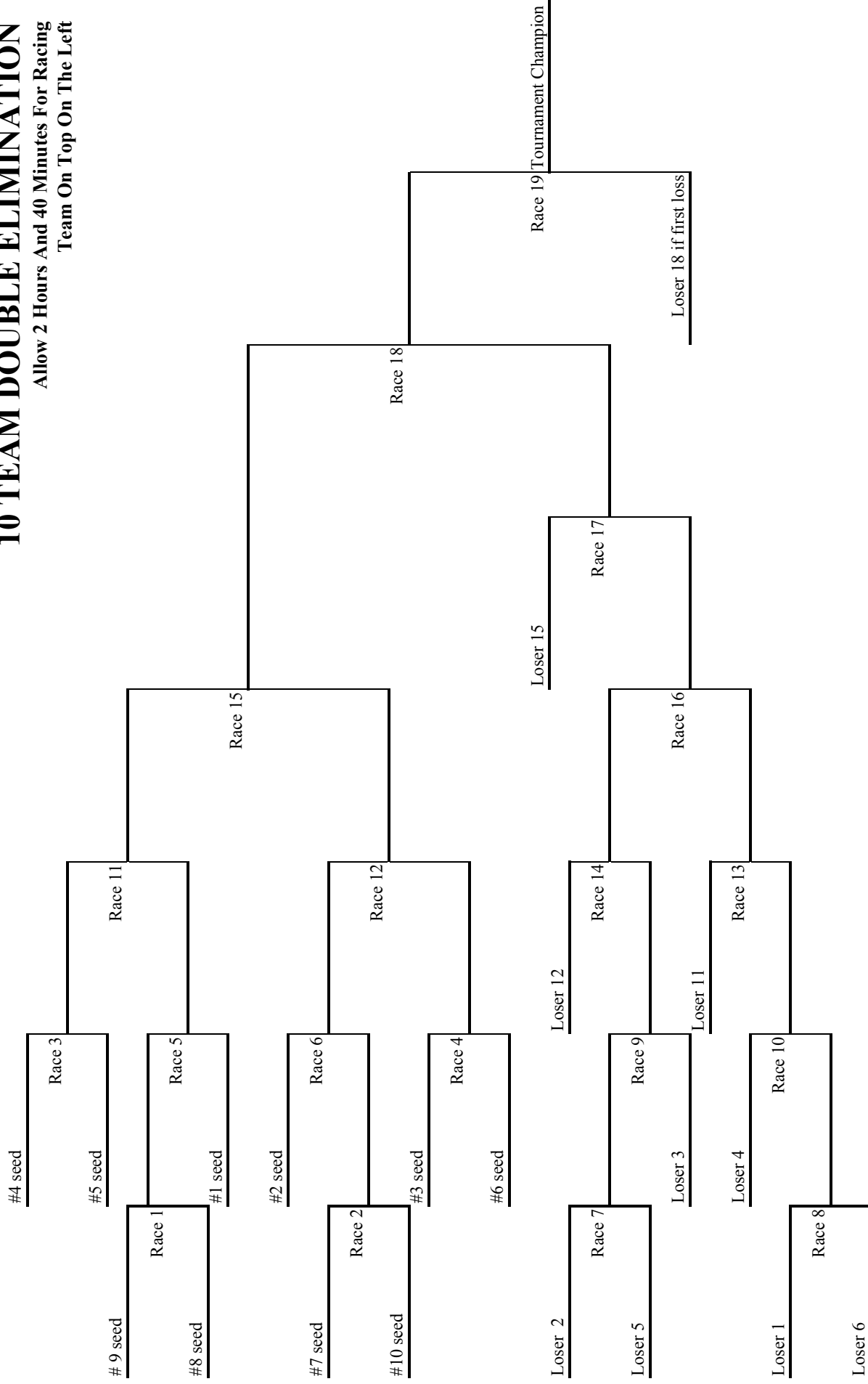
8 TEAM DOUBLE ELIMINATION

Allow 2 Hours For Racing
Team On Top On The Left



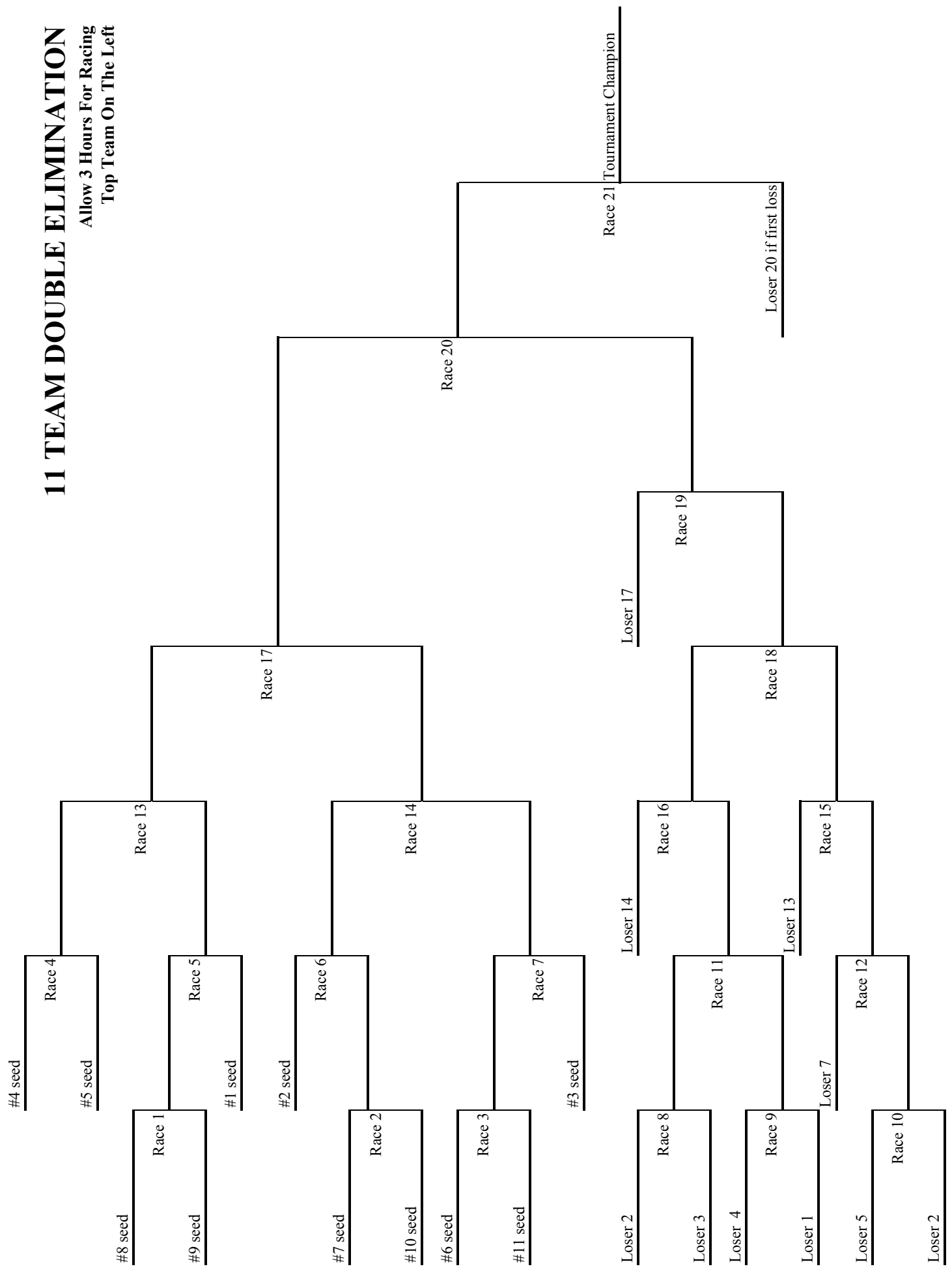
10 TEAM DOUBLE ELIMINATION

Allow 2 Hours And 40 Minutes For Racing
Team On Top On The Left



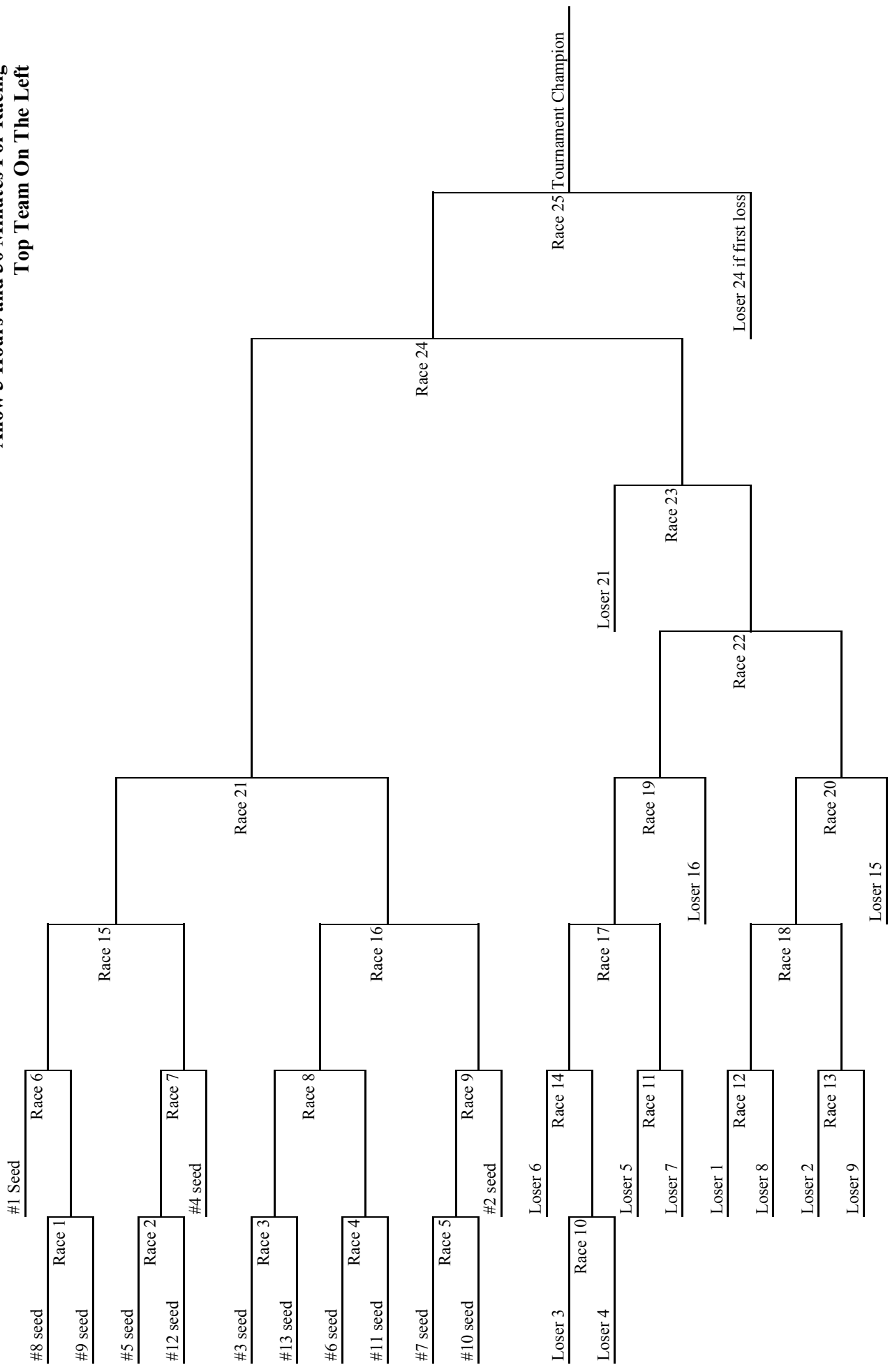
11 TEAM DOUBLE ELIMINATION

Allow 3 Hours For Racing
Top Team On The Left



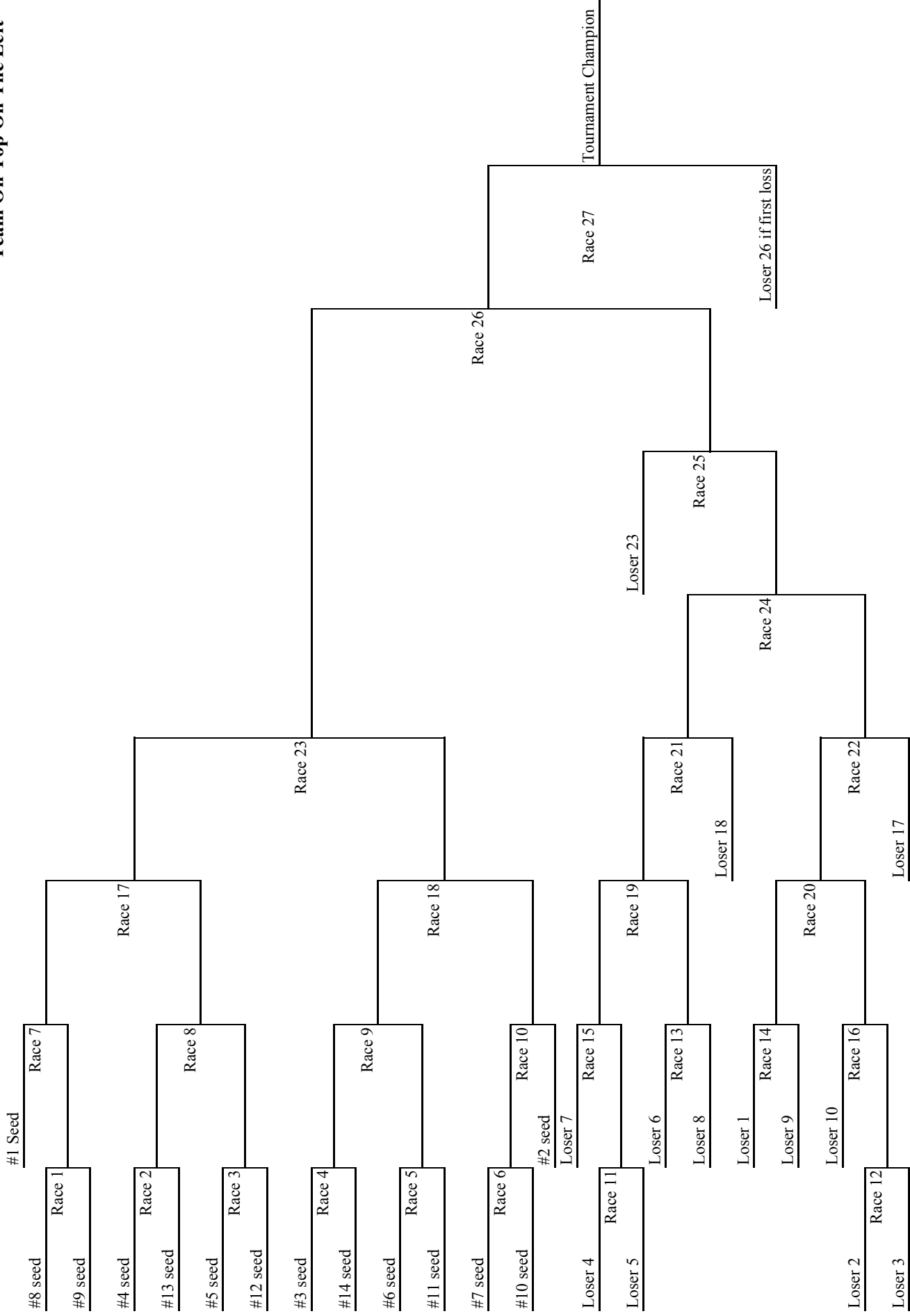
13 TEAM DOUBLE ELIMINATION

Allow 3 Hours and 30 Minutes For Racing
Top Team On The Left



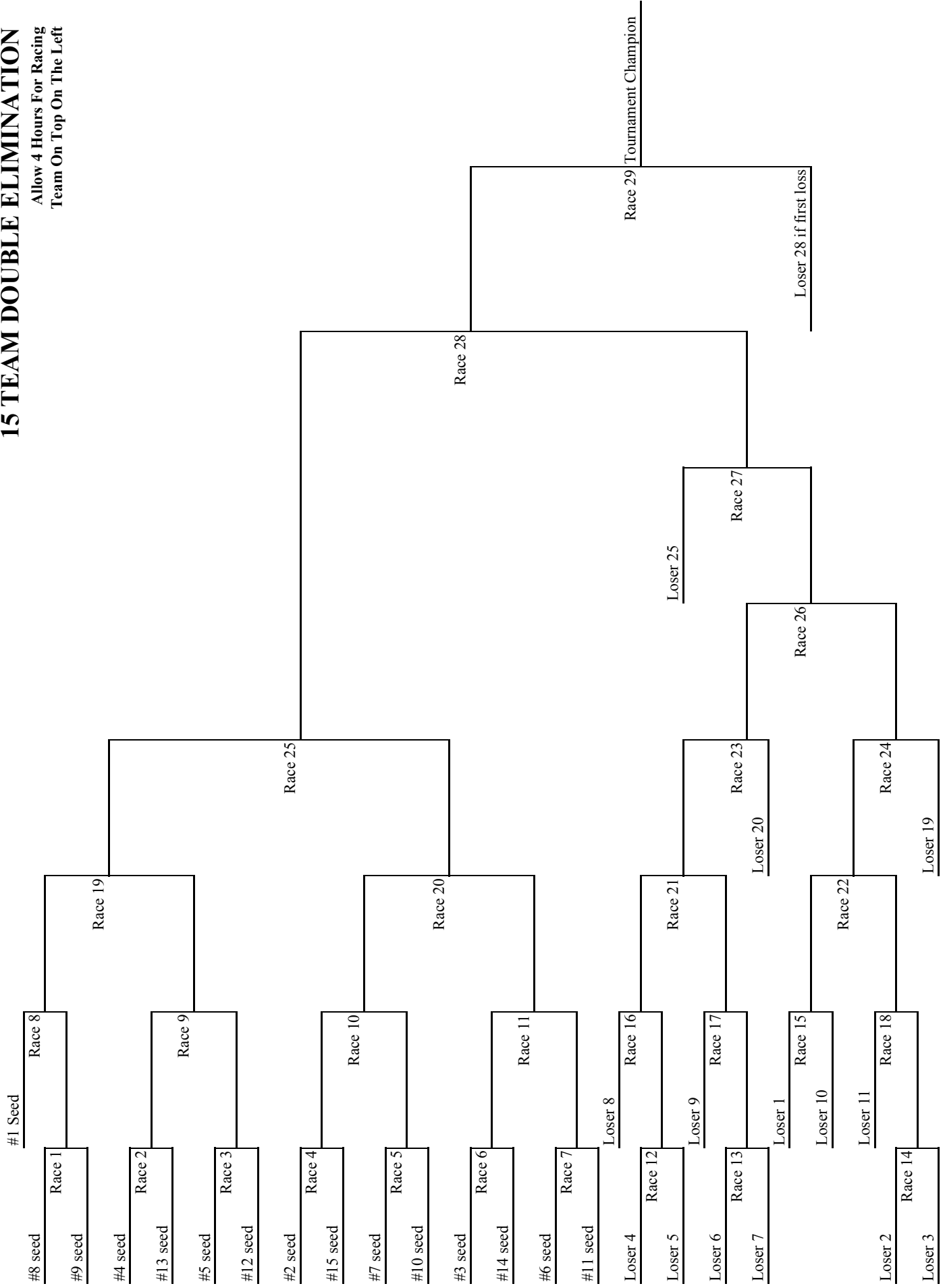
14 TEAM DOUBLE ELIMINATION

Allow 3 Hours And 45 Minutes For Racing
Team On Top On The Left



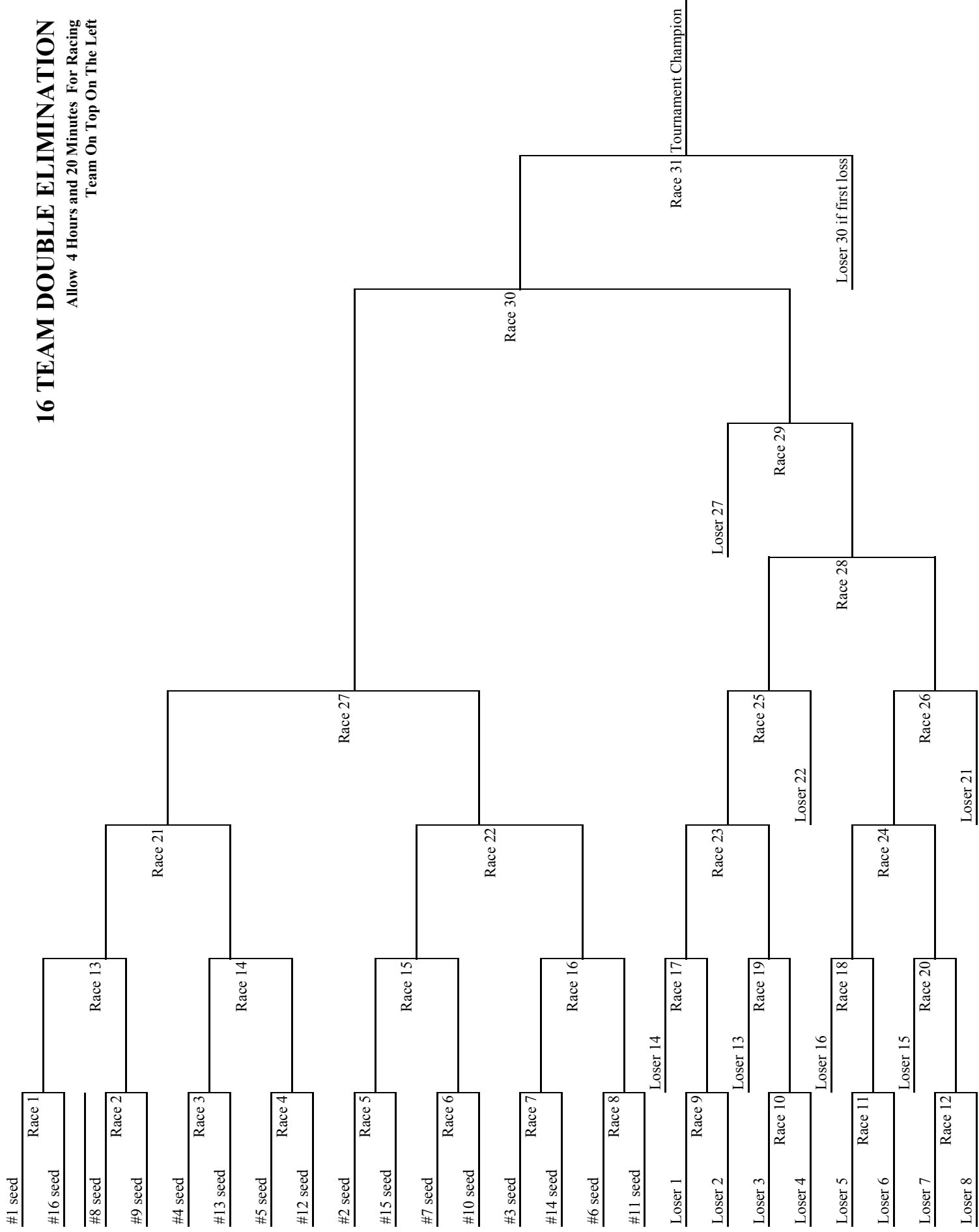
15 TEAM DOUBLE ELIMINATION

Allow 4 Hours For Racing
Team On Top On The Left



16 TEAM DOUBLE ELIMINATION

Allow 4 Hours and 20 Minutes For Racing
Team On Top On The Left



DOUBLE ELIMINATION PLACEMENTS

3 TEAM DOUBLE ELIMINATION

1ST Winner Race 5 (4)
2ND Loser Race 5
3RD Loser Race 3

4 TEAM DOUBLE ELIMINATION

1ST Winner Race 7 (6)
2ND Loser Race 7 (6)
3RD Loser Race 5
4TH Loser Race 4

5 TEAM DOUBLE ELIMINATION

1ST Winner Race 9 (8)
2ND Loser Race 9 (8)
3RD Loser Race 7
4TH Loser Race 6
5TH Loser Race 4

6 TEAM DOUBLE ELIMINATION

1ST Winner Race 11 (10)
2ND Loser Race 11 (10)
3RD Loser Race 9
4TH Loser Race 8
5TH Loser Race 6
6TH Loser Race 5

7 TEAM DOUBLE ELIMINATION

1ST Winner Race 12 (13)
2ND Loser Race 12 (13)
3RD Loser Race 11
4TH Loser Race 10
5TH Loser Race 7
6TH Loser Race 8
7TH Loser Race 6

8 TEAM DOUBLE ELIMINATION

1ST Winner Race 15 (14)
2ND Loser Race 15 (14)
3RD Loser Race 13
4TH Loser Race 12
5TH Loser Race 10
6TH Loser Race 9
7TH Loser Race 5
8TH Loser Race 6

9 TEAM DOUBLE ELIMINATION

1ST Winner Race 17 (16)
2ND Loser Race 17 (16)
3RD Loser Race 15
4TH Loser Race 14
5TH Loser Race 12
6TH Loser Race 11
7TH Loser Race 7
8TH Loser Race 8
9TH Loser Race 6

10 TEAM DOUBLE ELIMINATION

1ST Winner Race 19 (18)
2ND Loser Race 19 (18)
3RD Loser Race 17
4TH Loser Race 16
5TH Loser Race 14
6TH Loser Race 13
7TH Loser Race 9
8TH Loser Race 10
9TH Loser Race 8
10TH Loser Race 7

11 TEAM DOUBLE ELIMINATION

1ST Winner Race 21 (20)
2ND Loser Race 21 (20)
3RD Loser Race 19
4TH Loser Race 18
5TH Loser Race 15
6TH Loser Race 16
7TH Loser Race 12
8TH Loser Race 11
9TH Loser Race 10
10TH Loser Race 9
11TH Loser Race 8

12 TEAM DOUBLE ELIMINATION

1ST Winner Race 23 (22)
2ND Loser Race 23 (22)
3RD Loser Race 21
4TH Loser Race 20
5TH Loser Race 18
6TH Loser Race 17
7TH Loser Race 16
8TH Loser Race 15
9TH Loser Race 11
10TH Loser Race 9
11TH Loser Race 10
12TH Loser Race 12

DOUBLE ELIMINATION PLACEMENTS

13 TEAM DOUBLE ELIMINATION

1ST Winner Race 25 (24)
2ND Loser Race 25 (24)
3RD Loser Race 23
4TH Loser Race 22
5TH Loser Race 20
6TH Loser Race 19
7TH Loser Race 17
8TH Loser Race 18
9TH Loser Race 14
10TH Loser Race 13
11TH Loser Race 12
12TH Loser Race 11
13TH Loser Race 10

14 TEAM DOUBLE ELIMINATION

1ST Winner Race 27 (26)
2ND Loser Race 27 (26)
3RD Loser Race 25
4TH Loser Race 24
5TH Loser Race 22
6TH Loser Race 21
7TH Loser Race 19
8TH Loser Race 20
9TH Loser Race 15
10TH Loser Race 16
11TH Loser Race 14
12TH Loser Race 13
13TH Loser Race 12
14TH Loser Race 11

15 TEAM DOUBLE ELIMINATION

1ST Winner Race 29 (28)
2ND Loser Race 29 (28)
3RD Loser Race 27
4TH Loser Race 26
5TH Loser Race 23
6TH Loser Race 24
7TH Loser Race 21
8TH Loser Race 22
9TH Loser Race 16
10TH Loser Race 17
11TH Loser Race 18
12TH Loser Race 15
13TH Loser Race 14
14TH Loser Race 13
15TH Loser Race 12

16 TEAM DOUBLE ELIMINATION

1ST Winner Race 31 (30)
2ND Loser Race 31 (30)
3RD Loser Race 29
4TH Loser Race 28
5TH Loser Race 26
6TH Loser Race 25
7TH Loser Race 23
8TH Loser Race 24
9TH Loser Race 19
10TH Loser Race 20
11TH Loser Race 18
12TH Loser Race 17
13TH Loser Race 10
14TH Loser Race 12
15TH Loser Race 11
16TH Loser Race 9

NORTH AMERICAN FLYBALL ASSOCIATION, INC.

APPENDIX C

NAFA Forms

NAFA Rules and Policies

C.1 Tournament Entry Form

Tournament	_____	Fee	_____
Host Club	_____	Date	_____
NAFA Team #	_____	Seed Time	_____
Team	_____	Class	Reg <input type="checkbox"/> Multi <input type="checkbox"/> _____
Captain	_____	Phone	_____
Address	_____		
City	_____ State/Prov _____	Zip/Postal Code	_____

Team Accomplishments:

1. Handler	_____	Dog's Name	_____
Breed	_____	CRN#	_____
Titles/Other	_____	Jump Height	_____
2. Handler	_____	Dog's Name	_____
Breed	_____	CRN#	_____
Titles/Other	_____	Jump Height	_____
3. Handler	_____	Dog's Name	_____
Breed	_____	CRN#	_____
Titles/Other	_____	Jump Height	_____
4. Handler	_____	Dog's Name	_____
Breed	_____	CRN#	_____
Titles/Other	_____	Jump Height	_____
5. Handler	_____	Dog's Name	_____
Breed	_____	CRN#	_____
Titles/Other	_____	Jump Height	_____
6. Handler	_____	Dog's Name	_____
Breed	_____	CRN#	_____
Titles/Other	_____	Jump Height	_____

Box Loader: _____

NAFA Rules and Policies

C.3 Application for a NAFA Sanctioned Tournament

*=Required Field

*Location: _____

*Date(s) _____ *Closing Date: _____

*Entry Fee: Regular Class: _____ US CAN (Select One)
Non-Regular Class: _____ US CAN (Select One)

CLASSES: Check all that Apply

*Date _____ Event# _____ *Date _____ Event# _____
*Regular Class Unlimited Limited _____ teams *Regular Class Unlimited Limited _____ teams
*Multibreed Unlimited Limited _____ teams *Multibreed Unlimited Limited _____ teams

*Host Flyball Club: _____ *NAFA Club # _____

*Tournament Director

*Entries Chairperson

Name _____ Address _____ City, State, Zip _____ Phone _____ Fax _____ E-mail address _____
Name _____ Address _____ City, State, Zip _____ Phone _____ Fax _____ E-mail Address _____
*Head Judge #1 _____
*(if needed #2) _____

*Do you want NAFA's Electronic Judging System?? Yes No # Requested _____

*Freight Contact for pickup of EJS _____

*Address/City/St or Prov/Zip _____

Email address _____ *Phone# _____

*Nearest airport _____ 3 letter abbreviation _____

*Running Surface _____ *Minimum Racing Lane Run-Back _____

*Prize Money Yes No *Ribbons Yes No

*Other Awards (Dog Food., etc.) _____

*Special Rules or Requests such as; Regular Class on Saturday/Multibreed on Sunday

NAFA Approval: _____ Date: _____

NAFA Rules and Policies

C.4 Tournament Checklist

- Select Tournament Committee
 - Tournament Chairperson
 - Entries Chairperson
 - Grounds
 - Equipment
 - Trophy Chairperson
 - Hospitality Chairperson
 - Photographer
 - Judges
 - Publicity
 - Admission
 - Public Address
 - Catalog Chairperson
 - Raffle
 - Special Events
- Set entry fee
- Select and secure site
- Set date, time and place
- Determine number of races that can be held in time allowed
- Determine tournament format
- Determine schedule
- Determine number of entries
- Set the closing date
- Determine prizes
- Assemble judging panel
- Submit application to NAFA
- Contact printer for flyers, forms, catalog
- Mail out flyers
- Reserve hotel rooms, banquet rooms...
- Order trophies and ribbons
- Notify press of the date, time, location and what Flyball involves
- Secure volunteers for:
 - Set Up
 - Admission
 - Cleanup
 - Parking
 - Raffle
 - Hospitality
- Make arrangements for:
 - Mats
 - Gating
 - Jumps
 - Display Board
 - Whistles
 - Flags
 - Clip Board
 - Stop Watches
 - 50 - 100 Foot Tape
 - Rulers
 - Signage
 - Tables/Chairs
- Record entries as they arrive
- Finalize schedule
- Review schedule and seeding with your Regional Director
- Mail entry package to clubs and Judges. Package should include the following:
 - Maps of where to stay, where to eat and local points of interest
 - Final schedule and seeding
- Finalize banquet and hotel arrangements
- Finalize arrangements for a Veterinarian
- Pay Judges
- Pick up and deliver equipment, trophies, ribbons
- Set up ring(s), tables, post signage, gating,...
- HOLD THE TOURNAMENT!!!**
- Tabulate results and award prizes in a formal award ceremony
- Clean up the show site
- Within 14 days, submit full records and tournament recording fee to NAFA

NAFA Rules and Policies

C.5 Judge's Application

Name: _____ Phone: _____

Address: _____ Fax: _____

City _____ State/Province _____ Zip/Postal _____

E-mail Address: _____

Please provide a brief description of your qualifications:

All applicants are expected to own or purchase a current copy of the NAFA Rules and Guidelines.

Date of Application: _____

For Office Use Only

Written Exam

Passed Date: _____

Box Judge Assign. Date: _____

Line Judge Assign. Date: _____

Observe Assign. Date: _____

Apprentice Assignments

#1 Date: _____

#2 Date: _____

#3 Date: _____

Provisional status granted Date: _____

Provisional Assignments

#1 Date: _____

#2 Date: _____

#3 Date: _____

Full Approval by Board of Directors

Date: _____

NAFA Rules and Policies

Event# _____
Event# _____

C.6 Tournament Results Form

Tournament: _____ Date: _____
Host Club: _____ Host Club # _____
Tournament Director: _____ Phone: _____
Address: _____
City, State/Province.: _____ Zip Code: _____

Along with this form, the following items must be completed and returned to NAFA within 14 days of your tournament (late fees apply after 14 days):

* Completed time sheets including the following:
The division’s judge must sign each time sheet (Form C.2). Also, please note the judge’s name if not legible.
Bottom of each time sheet (Form C.2) must be completed with division number, best time, and placement.

* Jump Height Form(s) (Form C.9)

* If applicable, include any statements with respect to conduct prejudicial to the sport of Flyball.

* If applicable, include any protest(s).

* NAFA Recording Fee @ \$20.00 US per competing team

* EJS Shipping Cost (attach receipt). Specify payment in U.S. or Canadian Funds

\$ _____ NAFA Recording Fee @ \$20.00 US per competing team

\$ _____ EJS Shipping Cost (attach receipt) U.S. or Canadian Funds (Circle One)

\$ _____ Late Fees (if applicable)

\$ _____ Total remitted to NAFA (Recording Fees less EJS Shipping cost)

Attach check or Money Order – US or Canadian Funds (US to CDN exchange rate used _____)

Forward to: North American Flyball Association, Inc.
1400 W. Devon Avenue
512
Chicago, IL 60660

Results Received _____ Amount Received _____

NAFA Rules and Policies

C.7 Nomination for the NAFA Hall of Fame

Dog's Call Name _____ CRN Number: _____

Breed _____

Dog's Full Name _____

Owner _____ Phone# _____

Street Address _____

City, State/Prov. _____ Zip/Postal Code _____

Nominated By _____ Phone _____

Street Address _____

City, State/Prov. _____ Zip/Postal Code _____

Club Affiliate _____

ACHIEVEMENTS

FLYBALL

Obedience

Breed

Other

NAFA Rules and Policies

C.8 Application for a NAFA Competition Registration # (CRN)

Dogs Name (Call Name): _____ Breed: _____

Owner's Name: _____ Phone#: _____

Address: _____

City: _____ State/Prov: _____ Zip/Postal Code: _____

E-Mail Address: _____

Name of Dog as you would like it to appear on Awards: _____

Club Number: _____ Club Name: _____

Check or money order for \$15 US Funds or Canadian equivalent made out to NAFA Inc. must be enclosed.
To: NAFA Inc. 1400 W Devon Avenue #512, Chicago, IL 60660
Please allow 4-6 weeks for processing.

Dogs Name (Call Name): _____ Breed: _____

Owner's Name: _____ Phone#: _____

Address: _____

City: _____ State/Prov: _____ Zip/Postal Code: _____

E-Mail Address: _____

Name of Dog as you would like it to appear on Awards: _____

Club Number: _____ Club Name: _____

Check or money order for \$15 US Funds or Canadian equivalent made out to NAFA Inc. must be enclosed.
To: NAFA Inc. 1400 W Devon Avenue #512, Chicago, IL 60660
Please allow 4-6 weeks for processing.

Dogs Name (Call Name): _____ Breed: _____

Owner's Name: _____ Phone#: _____

Address: _____

City: _____ State/Prov: _____ Zip/Postal Code: _____

E-Mail Address: _____

Name of Dog as you would like it to appear on Awards: _____

Club Number: _____ Club Name: _____

Check or money order for \$15 US Funds or Canadian equivalent made out to NAFA Inc. must be enclosed.
To: NAFA Inc. 1400 W Devon Avenue #512, Chicago, IL 60660
Please allow 4-6 weeks for processing.

**Raised NAFA Seal
must appear here**

NAFA Rules & Policies

Form#

Dog's must race in NAFA sanctioned events for 1 year before applying for a height card application.

C.10 Height Card Application

Dogs NAFA Reg. Name: _____ Gender: Female Male
CRN#: _____ Date of Birth: _____
Breed of Dog: _____
Owner: _____ Phone: _____
Address: _____
City: _____ State/Prov: _____ Zip/Postal Code: _____

MEASUREMENTS

Date of Tournament: _____ Measurement of dog at withers: _____
Host Club: _____
Judges Name (Print): _____ Judge's Signature: _____
Supervising Head Judge Yes No

Date of Tournament: _____ Measurement of dog at withers: _____
Host Club: _____
Judges Name (Print): _____ Judge's Signature: _____
Supervising Head Judge Yes No

Date of Tournament: _____ Measurement of dog at withers: _____
Host Club: _____
Judges Name (Print): _____ Judge's Signature: _____
Supervising Head Judge Yes No

Date of Tournament: _____ Measurement of dog at withers: _____
Host Club: _____
Judges Name (Print): _____ Judge's Signature: _____
Supervising Head Judge Yes No

Date of Tournament: _____ Measurement of dog at withers: _____
Host Club: _____
Judges Name (Print): _____ Judge's Signature: _____
Supervising Head Judge Yes No

This form is complete when it contains three (3) matching measurements, at least one (1) of which is from a supervising judge.

Application must be presented to the measuring judge before the dog is measured

Please mail completed form to: NAFA Inc., 1400 W. Devon Ave. #512, Chicago, IL 60660 - Allow 2-4 weeks for processing.

NAFA Rules & Policies

C.11 New Club

Requested Club Name _____

Team Captain _____

Address _____

City _____ State _____

Zip/Postal Code _____ Phone No. _____

E-mail Address _____

Team Contact - if different _____

Address _____

City _____ State _____

Zip/Postal Code _____ Phone No. _____

E-mail Address _____

Please list any CRN Numbers that need to be transferred to this new team

CRN#	Dog's Name	Owner's Name

Use NAFA Form C.8 when requesting any new CRN numbers.

**Mail completed form along with \$25 U.S. Funds to: NAFA, Inc. 1400 W. Devon Avenue #512
Chicago, IL 60660**

Please allow 2-4 weeks for processing.

NAFA Rules and Policies

C.12 Notice of Excuse

Tournament: _____ Date: _____

Judge: _____ Tournament Director: _____

Reason for Excuse: Lameness _____ In Heat _____ Aggression _____

Dog's Name: _____ CRN# _____

Team Name: _____

Aggression Details

Time of Violation: _____ Race Number _____ vs. _____

Injuries Sustained: _____

Evidence: _____

Did the dog require Veterinary attention? Yes _____ No _____

Eyewitness Reports: _____

Eyewitness Reports: _____

Eyewitness Reports: _____

Judge's Findings: _____

Judges Signature: _____ Date: _____

Owner's/Handler's Signature: _____ Date: _____

NAFA Judge must mail the original to the Executive Director within 5 days. Original copy to Executive Director, other copies for: Judge, Regional Director, Owner/Handler.

NAFA Rules and Policies

C.13 NAFA World Record Report Form

Important:

1. On the day of the event, questions regarding this procedure should be directed to the Regional Director.
2. Racing should be stopped immediately after a record has been achieved and not resumed again until the required information has been completed.

Date: _____ Race and Ring Number: _____
 Running Surface: _____ Head Judge: _____
 Regional Director: _____ Tournament Director: _____
 Event Number: _____
 Host Club Name & Number: _____
 City, State (Prvince): _____

Record setting team information (To be completed by the Head Judge)

Record time: _____ Class of competition (circle one): regular / multibreed
 Team name & number: _____ Team Captain: _____

Line-up:

	Dog	Breed	Jump Hgt	Handler/Owner	CRN
1					
2					
3					
4					

Box loader: _____

Check list of action to take place to verify the record (see section 6.2 - Record Times in NAFA Rules of Racing)

1. The Head Judge will do the following:

- A. Measure the course to verify that it is set properly. This includes:
 - Racing lane length
 - Jump placement
 - Jump height
- B. Verify the height dog measurement
- C. Check the box. This includes:
 - Throw of all sizes of balls used from all holes
 - Placement

I, as Head Judge, verify that the racing lane, jump height and placement, height of the jump height dog, the flyball box and balls have all met NAFA regulations:

Head Judge: _____ Date: _____

2. The video must be reviewed by two neutral members of the Board of Directors and meet the following requirements:

- A. To be a world record, a video of the heat is mandatory.
- B. The video must include the following:
 - Start finish line.
 - Sensor panels
 - Light tree
- C. All passes / exchanges must be clean to qualify for a world record
- D. The electronic judging system must not show any errors or faults
- E. All dogs must carry a ball over the finish line
- F. The heat should be timed with a stopwatch when the video is reviewed.

We, as neutral members of the NAFA Board of Directors, do hereby certify that we have reviewed the video and that all passes / exchanges are clean and that the electronic judging system showed no errors or faults. We do hereby declare a new official NAFA World Record.

Reviewed by: _____ Date: _____
 Reviewed by: _____ Date: _____

3. If there are not two neutral members of the Board of Directors available at the tournament:

- A. The original or a copy of the video will be forwarded to the Executive Director to coordinate the review process.
- B. The Executive Director must receive the original or a copy of the video within fourteen days.

NAFA Rules and Policies

C.13 World Record Form Instructions

What to do when a possible world record has been achieved:

1. Racing should be stopped immediately.
2. The Head Judge should notify the Regional Director of the possible world record. At that time if they have any questions on how to proceed, or during the time of recording the information and verification, they should be directed to the Regional Director.
3. The world record form should be pulled from the rules of racing and the general information at the top should be filled out in prior to proceeding to the checklist portion.

Checklist portion:

1. Course, height dog, box verification and ball:
 - A. Measuring the course:
 1. If you need assistance to do the measuring it is recommended that you have the Regional Director or Tournament Director help.
 2. All measurements must meet NAFA measurement tolerances.
 3. All jumps should be measured for height and be within 1/4".
 4. Jump placement must be within 2" of the jump-set line.
 - B. Verify the height dog measurement:
 1. Refer to the height dog measurement sheet.
 - a. If the dog has a height card, which was recorded prior to racing, no action is necessary.
 - b. If the dog was measured prior to racing, no action is necessary.
 - c. If the dog was not measured prior to racing, it is mandatory that it be measured at this time.
 - C. Check the flyball box:
 1. Dimensions must meet NAFA standards. It must be measured at this time, unless it was previously measured at the tournament.
 2. Throw of all holes using all sizes of balls used must be checked.
 3. The placement of the box should be at least 51' from the start finish line.

If all of the above requirements are met, the Head Judge should sign and date the world record form. It should be given to the team captain so that they can submit it along with a copy of the video to the Board of Directors.

2. Video tape verification:
 - A. To be considered for a world record an unedited videotape is mandatory.
 - B. The video must be stationary and in line with the start finish line, with a clear view of the sensor panels, and the light tree.
 - C. All passes / exchanges must be clean to qualify for a world record.
 - D. The electronic judging system must not show any errors or faults.
 - E. All dogs must carry their ball over the finish line.
 - F. The heat should be timed with a stopwatch when the video is reviewed. The hand timing is to confirm that the tape is of the actual run in question.

*Special notes

- If two neutral members of the Board of Directors are present at the tournament, the video may be reviewed at that time.
- It may be necessary to view the tape at a later time due to poor tape or lighting quality and or the size of the screen available to view the tape on.
- The run in question must meet all of the above criteria or it cannot be considered for world record status.

If all of the above requirements are met, both members of the Board of Directors should sign and date the world record form. A copy of the world record form must be submitted to the Executive Director within fourteen days in order to record the new record.

3. If there are not two neutral members of the Board of Directors available at the tournament:
 - A. The original or a copy of the video will be forwarded to the Executive Director to coordinate the review process.
 - B. The Executive Director must receive the original or a copy of the video within fourteen days of the run in question.
 - C. A completed copy of the world record form must accompany the tape.
 - D. All of the criteria in item 2 must still be met.

All records will be confirmed by NAFA within 14 days of receipt of the necessary documents.

NAFA Rules and Policies

C.14 Nomination for the NAFA Regional Hall of Fame

Dog's Call Name _____ CRN Number: _____

Breed _____

Dog's Full Name _____

Owner _____ Phone# _____

Street Address _____

City, State/Prov. _____ Zip/Postal Code _____

Nominated By _____ Phone _____

Street Address _____

City, State/Prov. _____ Zip/Postal Code _____

Club Affiliate _____

ACHIEVEMENTS

FLYBALL

Obedience

Breed

Other

NAFA Rules and Policies

C.15 Judge's Report Form

Host Club: _____

Tournament Director: _____

Tournament Date: _____

Regional Director: _____

Judges Name: _____

Please indicate how you felt about the judge:

Was the judge punctual? _____

Did the judge have a good knowledge of the rules of racing? _____

Was the judge friendly and courteous? _____

Did the judge show confidence in the ring? _____

Did the judge keep a good pace? _____

Did the judge leave the teams and the spectators with the feeling that all teams were given an equal opportunity and no team was given an unfair advantage? _____

Comments: _____

This is an optional form that NAFA encourages tournament directors to fill out and mail in with their tournament results.

NAFA Rules and Policies

C.16 NAFA Apprentice Judge Review Form (To Be Completed by Supervising Judge)

Apprentice Judge Information

Name: _____ Address: _____
City: _____ State/Prov: _____ Zip/PC: _____
Home Phone: _____ Work Phone: _____ Cell phone: _____
E-mail address: _____

Supervising Judge:

Note: Must be on NAFA list of approved Supervising Judges

Tournament Information

Date: _____ Sponsoring Team: _____
Location: _____ Tournament Director: _____

Tournament Director Information

Address: _____
City: _____ State/Prov: _____ Zip/PC: _____
Phone: _____
E-mail address: _____

Number of Races Judged (minimum 20) _____

Judging Start Time: _____ Judging End Time: _____
Manual Start : _____ EJS Start: _____

Please rate the Apprentice Judge on the following rate scale of 1 to 5 with 1 rating poor and 5 rating excellent.

Appearance	1	2	3	4	5
Knowledge of NAFA Rules & Policies	1	2	3	4	5
Control of Ring	1	2	3	4	5
Attitude to Exhibitors & Officials	1	2	3	4	5
Measuring Dogs	1	2	3	4	5
Style	1	2	3	4	5

Additional Comments: _____

Recommendations:

- Provisional Judge Status
- Additional Experience Needed
- Do Not Recommend

Please note:

Only applications with completed information will be reviewed. Your application will be reviewed by the NAFA Board of Directors at the first physical meeting after receipt. You will be contacted by the Head of the NAFA Judging Committee of the Board's decision within 10 days after the meeting by phone, followed up by a written notice.

Apprentice Judges should be given back this form, and when three approvals are collected, mail to:

NAFA Judges & Guidelines Committee, 1400 West Devon Ave., Suite 512, Chicago, IL 60660

NAFA Rules and Policies

C.17 NAFA Provisional Judge Review Form (To Be Completed by Tournament Director or Regional Director)

Provisional Judge Information

Name: _____ Address: _____
City: _____ State/Prov: _____ Zip/PC: _____
Home Phone: _____ Work Phone: _____ Cell phone: _____
E-mail address: _____

Tournament Information

Date: _____ Sponsoring Team: _____
Location: _____ Tournament Director: _____

Tournament Director Information

Address: _____
City: _____ State/Prov: _____ Zip/PC: _____
Phone: _____
E-mail address: _____

Which of the above two persons observed this Provisional Judge today? TD _____ RD _____

Divisions Judged:

Judging Start Time: _____ Judging End Time: _____
Manual Start : _____ EJS Start: _____

Please rate the Apprentice Judge on the following rate scale of 1 to 5 with 1 rating poor and 5 rating excellent.

Appearance	1	2	3	4	5
Knowledge of NAFA Rules & Policies	1	2	3	4	5
Control of Ring	1	2	3	4	5
Attitude to Exhibitors & Officials	1	2	3	4	5
Measuring Dogs	1	2	3	4	5
Style	1	2	3	4	5

Additional Comments: _____

Recommendations: NAFA Approved Judge Status
 Additional Experience Needed
 Do Not Recommend

Please note:

Only applications with completed information will be reviewed. Your application will be reviewed by the NAFA Board of Directors at the first physical meeting after receipt. You will be contacted by the Head of the NAFA Judging Committee of the Board's decision within 10 days after the meeting by phone, followed up by a written notice.

Provisional Judges should be given back this form, and when three approvals are collected, mail to:
NAFA Judges & Guidelines Committee, 1400 West Devon Ave., Suite 512, Chicago, IL 60660

NAFA Rules and Policies

Form C. 18 Application for NAFA Supervising Head Judge

Date of application: _____ Date received by NAFA: _____

Applicant Information:

Name: _____ Address: _____

City: _____ State/Prov: _____ Zip/PC: _____

Home Phone: _____ Work Phone: _____ Cell phone: _____

E-mail address: _____ Applicant's home region: _____

Applicant's signature: _____

1. Amount of time applicant has been:

a. Involved in the sport of flyball: _____

b. A NAFA Approved Judge: _____

2. Please list the following information on a separate document:

a. A minimum of 25 tournaments that you have judged, on separate weekends, since being an Approved Judge. Please include the date, host team, Tournament Director, Regional Director, city, state, and amount of judging completed for each event. It is also important that you indicate at which of these tournaments you measured dogs.

b. Any disciplinary, probation or suspension actions that you have been involved in while participating in flyball either as a competitor or Judge.

3. Please attach original copies of the following documents:

a. Signed letter of endorsement from your home region Regional Director.

b. Signed letter of endorsement from your 5 Tournament Directors for which you judged as an Approved Judge.

c. Signed letter of endorsement from 2 NAFA Approved Judges with whom you have judged.

My goals should I be approved as a NAFA Supervising Head Judge are as follows:

Please submit your application to:

NAFA, Head of Judging Committee

1400 W. Devon Ave., Suite 512

Chicago, Il 60660

Please note:

Only applications with completed information will be reviewed. Your application will be reviewed by the NAFA Board of Directors at the first physical meeting after receipt.

You will be contacted by the Head of the NAFA Judging Committee of the Board's decision within 10 days after the meeting by phone, followed up by a written notice.

NAFA Use only

Presiding Head of Judging Committee: _____

Date: _____ Approved: _____ Rejected: _____